

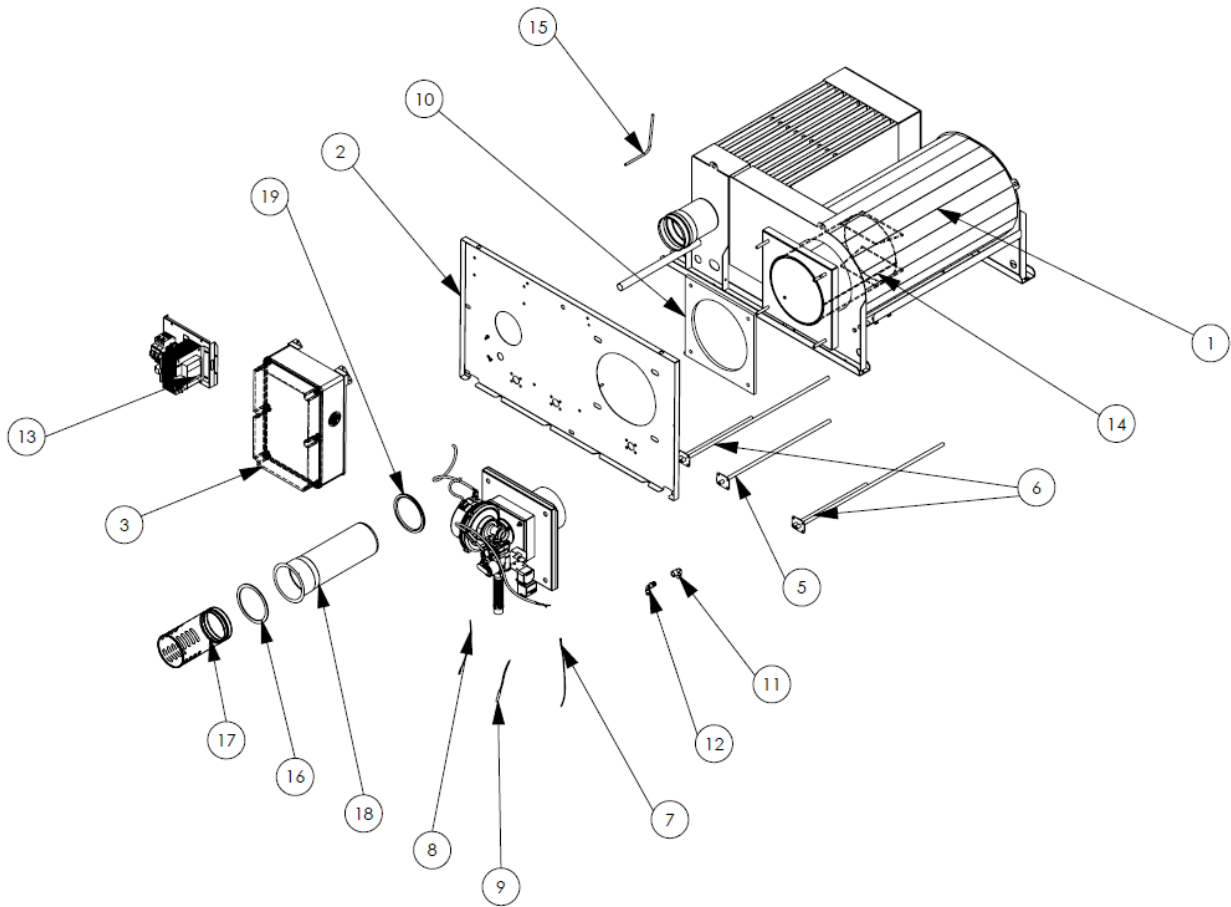


LENNOX SPARE PARTS

**SPARE PARTS FOR SYSTEMA GOODS
EXHIBIT 4B.2**

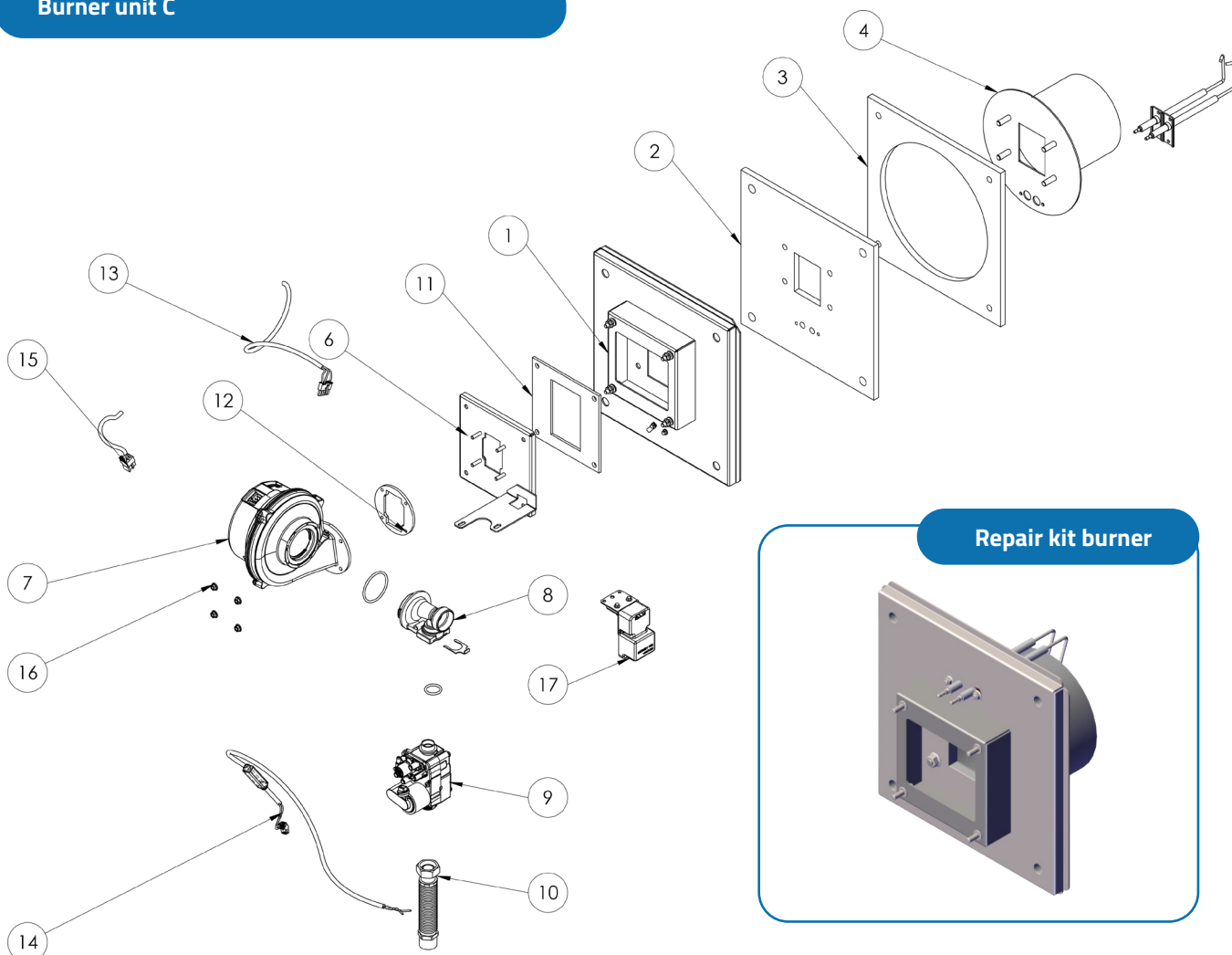
MODEL C BOX

Heat exchanger gas unit

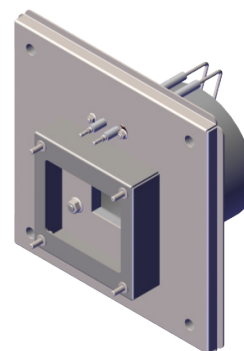


Item	Name	Model	Valid from serial no:	Quantity	Part no.
1	Plate heat exchanger unit	LXC 35-30-075_5x5	na	1	70WYPL0091
2	Mounting plate	LXD-00.00.05-H	na	1	70WYPL0261
4	Burner unit	VIP 1 HW a	na	1	70LXPAL0020
7	Temperature sensor	L-1500	na	3	800KWI0240
8	Temperature sensor	L-1250	na	2	800KWI0239
9	Temperature sensor PT1000	TT4-PT1000B-582-2100	na	1	800KWI0245
10	Insulating gasket		na	1	94CNGU0082
13	Transformer	LF84A-44230-GS	na	1	11ELTR0411
14	Internal combustion chamber	215 L-300	na	1	70WYPL0175
15	Swich pressure tube	LXD-06.00.03A	na	1	70WYPL0456
16	Foam gasket	VITON	L22G11673		94CNGU0088
17	Exhaust fume pipe outlet		L22G11673	1	80AKKO5010
18	Exhaust fume pipe	H17 / 1.4016 / X6Cr17	L22G11673	1	80AKRU3164
19	Gasket for fume pipe	Silikon	L22G11673	1	00CNOR2527

Burner unit C



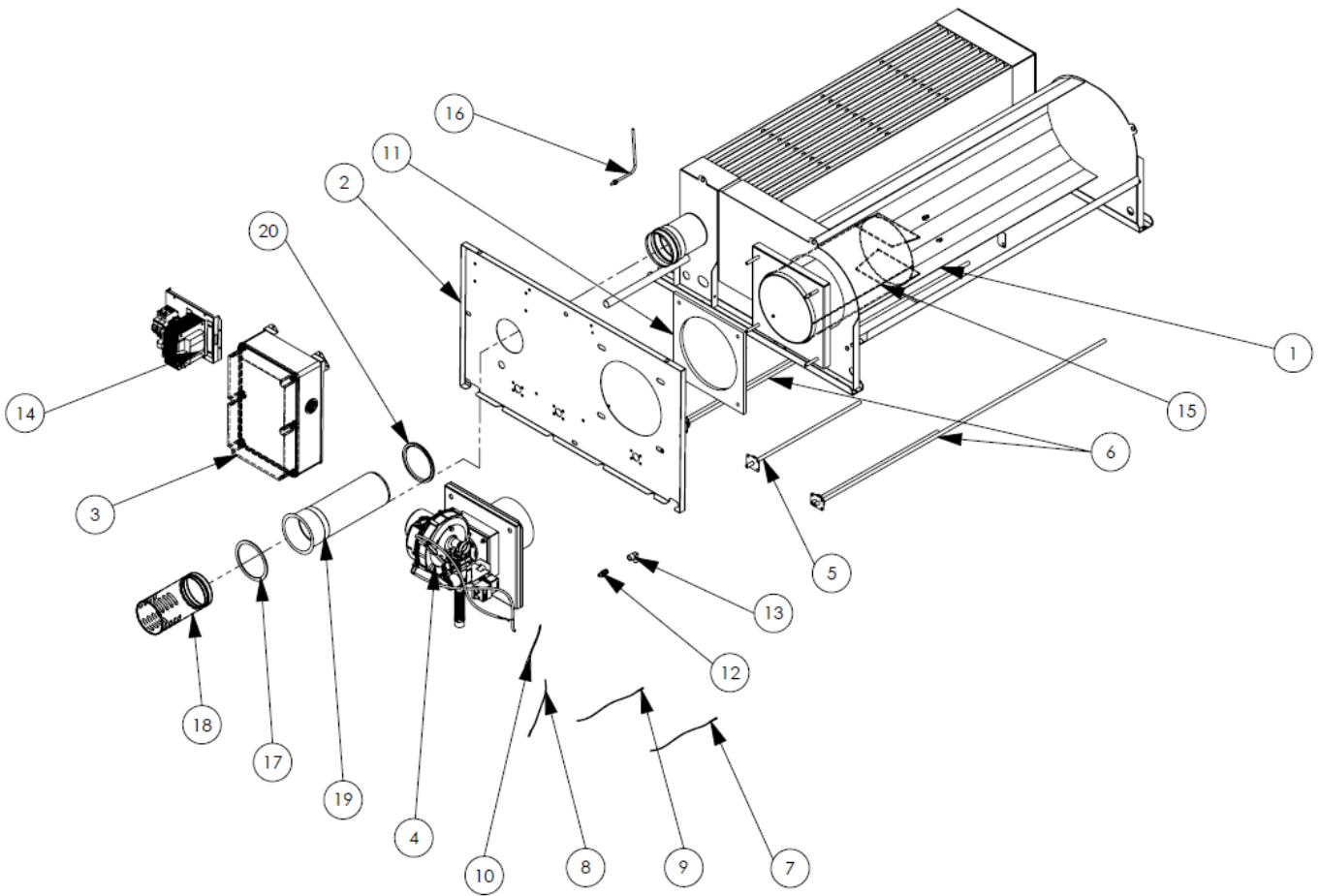
Repair kit burner



Item	Name	Model	Valid from serial no:	Quantity	Part no.
1	Burner plate		na	1	70PLDM0008
2	Insulating gasket		na	1	94CNGU0080
3	Insulating gasket		na	1	94CNGU0082
4	Burner head	Ø129 L.120	na	1	70PAGL0000
5	Electrode	2 SINGLE SET	L21G11320	1	94CNEL0035
		double	previous	1	94CNEL0002
7	Gas blower	NRG118	na	1	94CNVE0019
8	Gas air-mixer	45900451-056	na	1	94CNIM0033
9	Gas valve	VK4205VE5002	na	1	94CEVA0010
11	Gas blower gasket		na	1	00CNOR3000
12	Silicon gasket		na	1	00CNOR3021
13	Gas blower control cable		na	1	700KWI0000
14	Gas valve wire supply		na	1	00CECO1109
15	Gas blower wire supply		na	1	700KWI0003
17	Transformer with converter	BRAHMA TSM	L22D11577	1	70LXEL0014
	Transformer	BRAHMA TR2	previous	1	00CNAC2008
-	Repair kit burner	model C			70LVXPAL0023

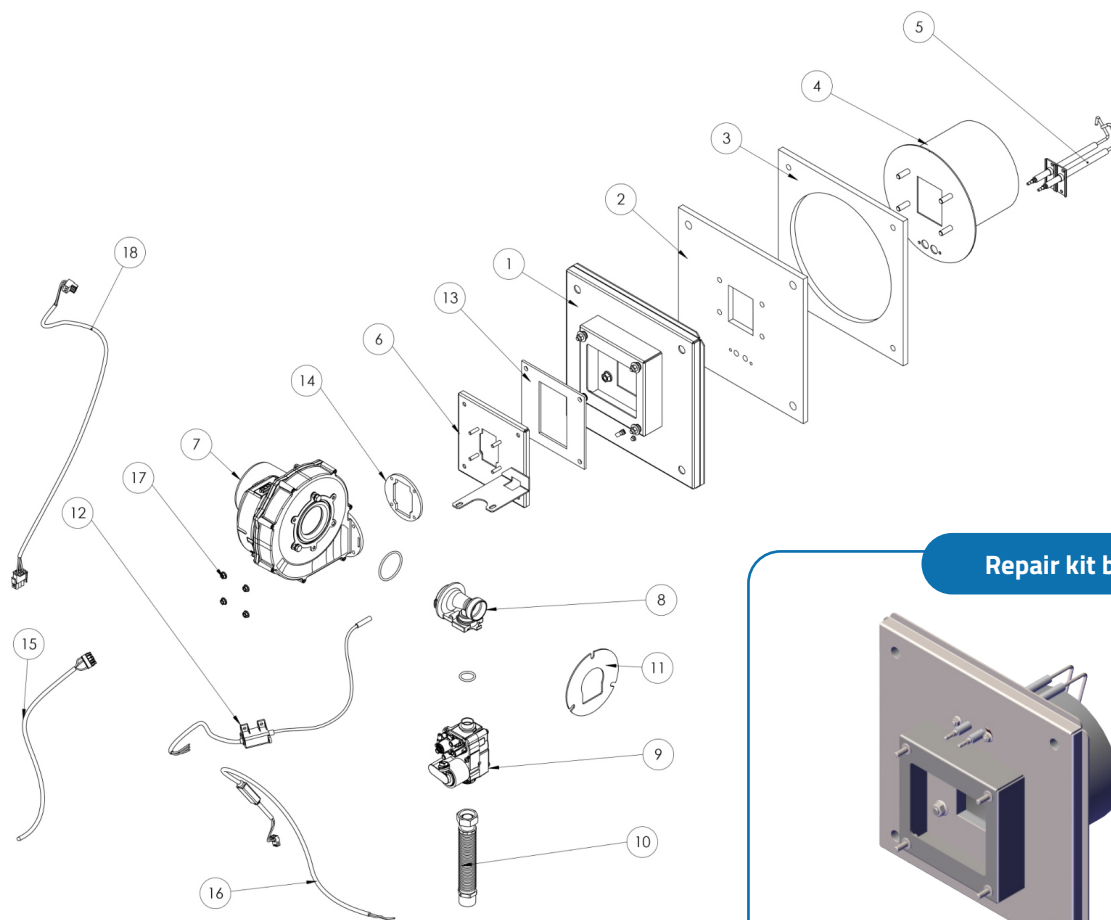
MODEL D BOX

Heat exchanger gas unit

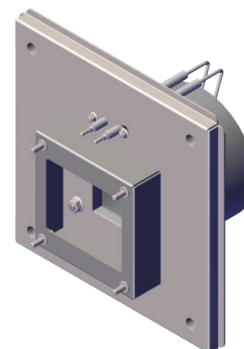


Item	Name	Model	Valid from serial no:	Quantity	Part no.
1	Plate heat exchanger unit	LXD 35-30-110_5x5	na	1	70WYPL0260
2	Mounting plate	LXD-00.00.05-H	na	1	70WYPL0261
4	Burner unit	VIP 2 HW	na	1	70LXPAL0021
7	Temperature sensor	L-1500	na	1	800KWI0240
8	Temperature sensor	L-1250	na	2	800KWI0239
9	Temperature sensor	L-2000	na	2	800KWI0247
10	Temperature sensor PT1000	TT4-PT1000B-582-2100	na	1	800KWI0245
11	Insulating gasket		na	1	94CNGU0082
14	Transformer	STM 100 400/230V	na	1	11ELTR0410
15	Internal combustion chamber	215 L-400	na	1	70WPL0405
16	Swich pressure tube	LXD-06.00.03A	na	1	70WYPL0456
17	Foam gasket	VITON	L22G11673	1	94CNGU0088
18	Exhaust fume pipe outlet		L22G11673	1	80AKK05010
19	Exhaust fume pipe	H17 / 1.4016 / X6Cr17	L22G11673	1	80AKRU3164
20	Gasket for fume pipe	Silikon	L22G11673	1	00CNOR2527

Burner unit D

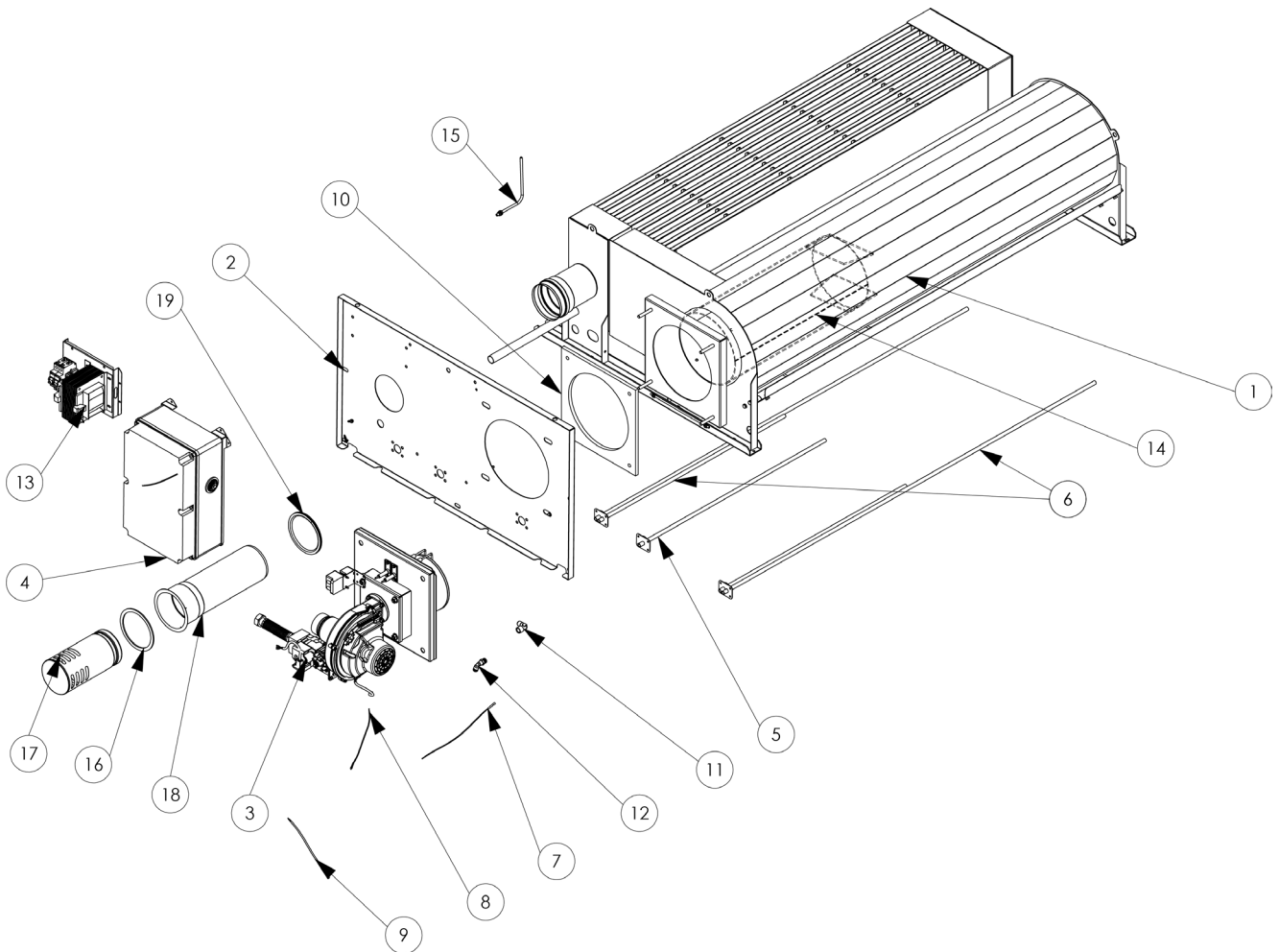


Repair kit burner



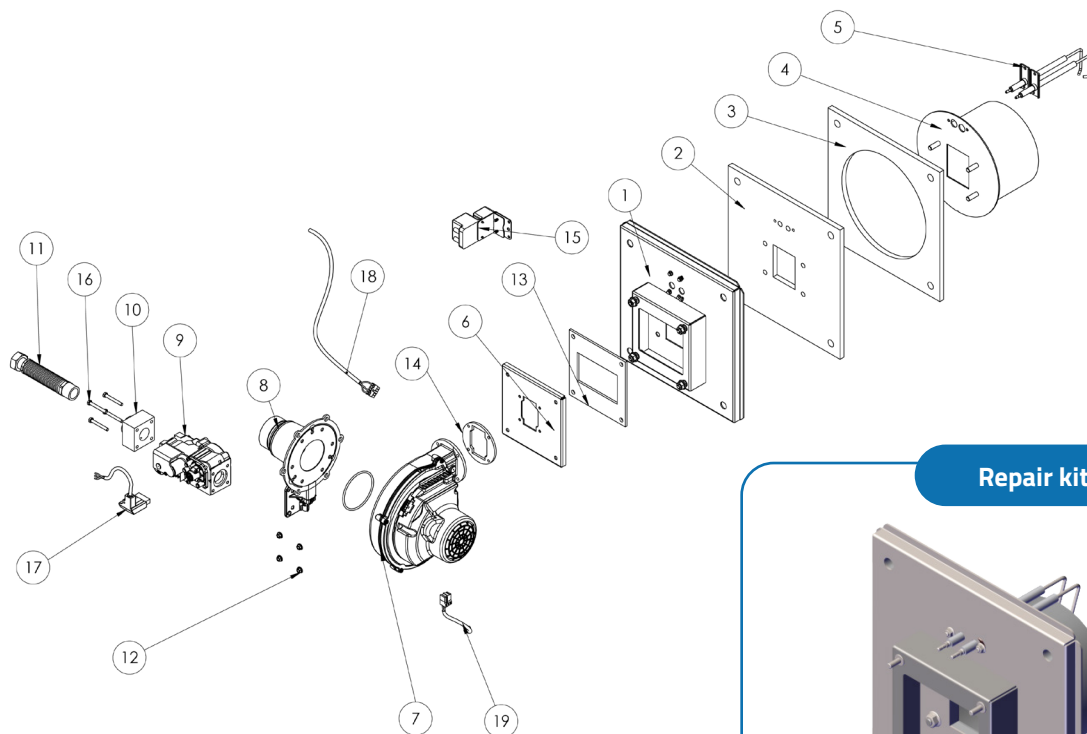
Item	Name	Model	Valid from serial no:	Quantity	Part no.
1	Burner plate		na	1	70PLDM0008
2	Insulating gasket		na	1	94CNGU0080
3	Insulating gasket		na	1	94CNGU0082
4	Burner head	Ø154 L.120	na	1	70PAGL0001
5	Electrode	2 SINGLE SET	L21G11320	1	94CNEL0035
		double	previous	1	94CNEL0002
7	Gas blower		na	1	94CNVE0012
8	Gas air-mixer	45900451-056	na	1	94CNIM0033
9	Gas valve	VK4205VE5002	na	1	94CEVA0010
11	Mixer ring		na	1	85PLPI0000
12	Transformer with converter	BRAHMA TSM	L22D11577	1	70LXEL0014
	Transformer	BRAHMA TR2	previous	1	00CNAC2008
13	Blower gasket		na	1	00CNOR3000
14	Silicon gasket		na	1	00CNOR3021
15	Gas blower control cable		na	1	700KW10002
16	Gas valve wire supply		na	1	00CECO1109
18	Gas blower wire supply		na	1	700KW10007
-	Repair kit burner	model D	yes	1	70LVXPAL0024

Heat exchanger gas unit

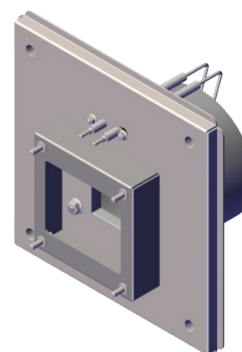


Item	Name	Model	Valid from serial no:	Quantity	Part no.
1	Plate heat exchanger unit	LXE 35-30-135_5x5	na	1	70WYPL0378
2	Mounting plate	LXD-00.00.05-H	na	1	70WYPL0261
3	Burner unit	VIP 3 HW a	na	1	70LXPAL0022
7	Temperature sensor	L-1500	na	3	800KWI0240
8	Temperature sensor	L-2200	na	2	800KWI0248
9	Temperature sensor PT1000	TT4-PT1000B-582-2100	na	1	800KWI0245
10	Insulating gasket		na	1	94CNGU0082
9	Transformer	STM 250 400/230V	na	1	11ELTR0411
14	Internal combustion chamber	215 L-500	na	1	70WYPL0406
15	Swich pressure tube	LXD-06.00.03A	na	1	70WYPL0456
16	Foam gasket	VITON	L22G11673	1	94CNGU0088
17	Exhaust fume pipe outlet		L22G11673	1	80AKK00510
18	Exhaust fume pipe	H17 / 1.4016 / X6Cr17	L22G11673	1	80AKRU3164
19	Gasket for fume pipe	LXD-02.01.01	L22G11673	1	00CNOR2527

Burner unit E / E+



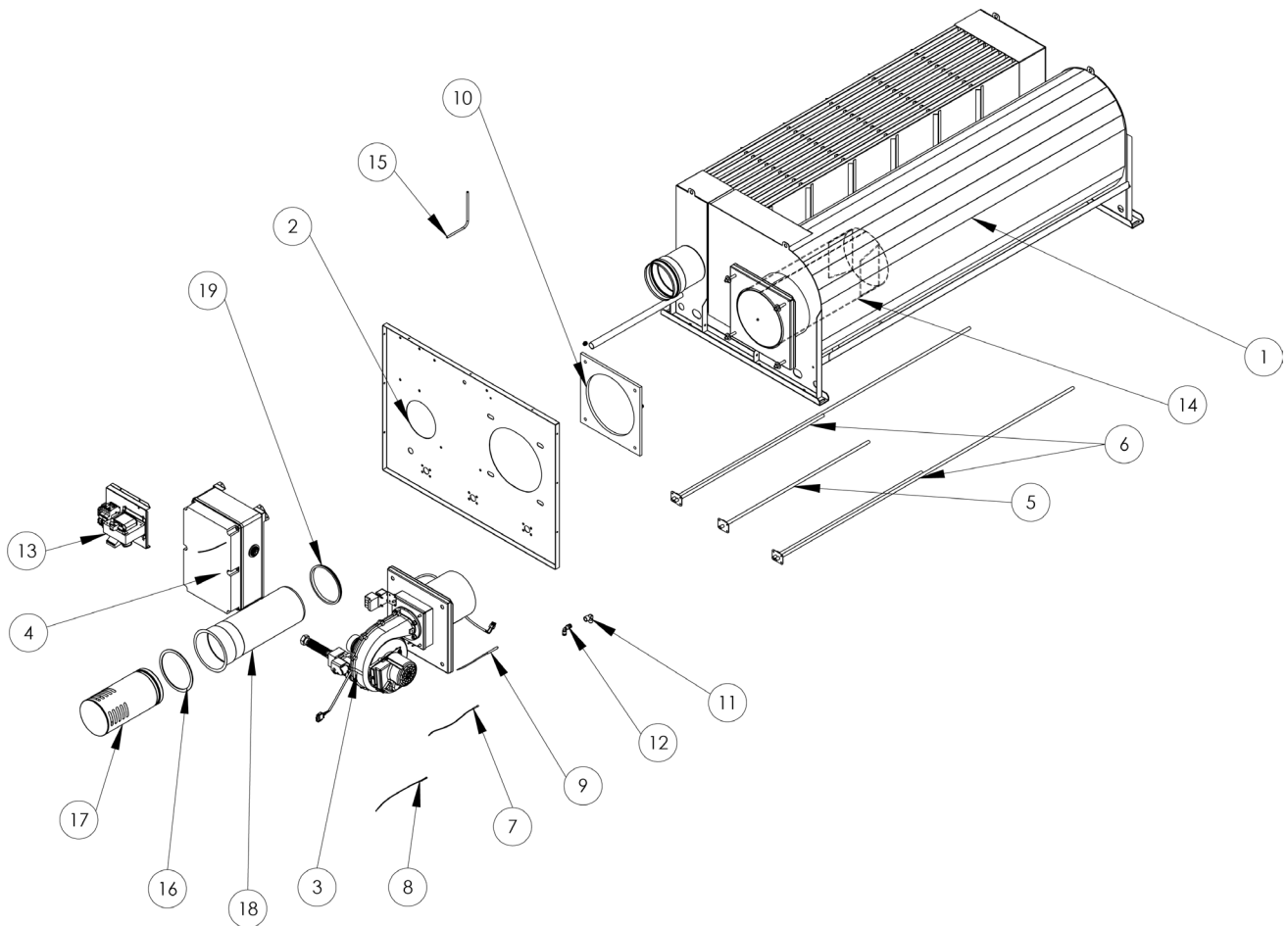
Repair kit burner



Item	Name	Model	Valid from serial no:	Quantity	Part no.
1	Burner plate		na	1	70PLDM0008
2	Insulating gasket		na	1	94CNGU0080
3	Insulating gasket	279x279x10	na	1	94CNGU0082
4	Burner head	Ø159 L.120	na	1	70PAGL0003
5	Electrode	2 SINGLE SET	L21G11320	1	94CNEL0035
		double	previous	1	94CNEL0002
7	Gas blower		na	1	94CNVE0016
8	Gas air-mixer	45900450N-020	na	1	94CNIM0021
9	Gas valve	VK4415V1002B	na	1	94CEVA0011
10	Blower gasket		na	1	94ARSZ6009
11	Silicon gasket		na	1	12ARPG6007
13	Blower gasket		na	1	00CNOR3000
14	Silicon gasket		na	1	00CNOR3021
15	Transformer with converter	BRAHMA TSM	L22D11577	1	70LXEL0014
	Transformer	BRAHMA TR2	previous	1	00CNAC2008
17	Gas valve wire supply		na	1	00CECO1106
18	Gas blower control cable		na	1	70OKWI0002
19	Gas blower wire supply		na	1	70OKWI0003
-	Repair kit burner	model E/E+	na		70LVXPAL0025

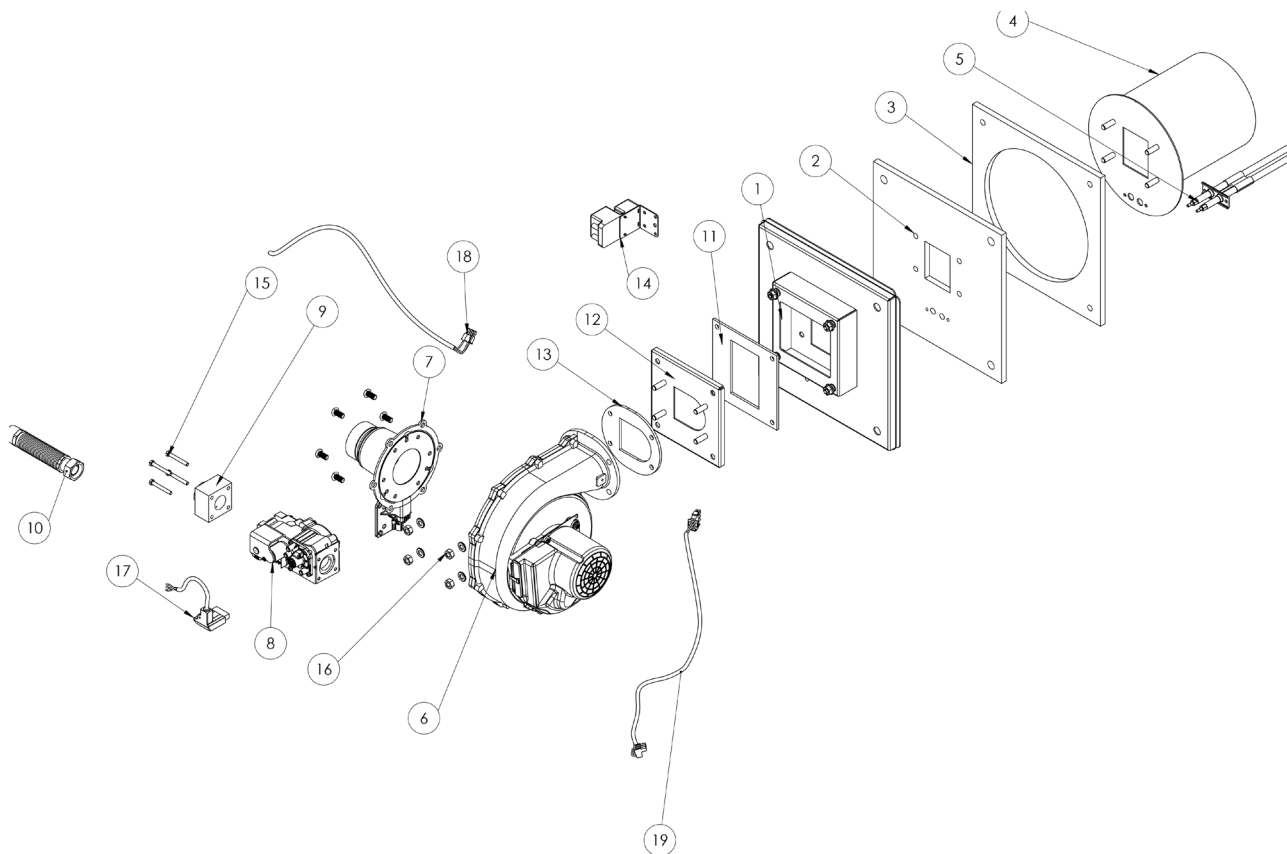
MODEL F BOX

Heat exchanger gas unit



Item	Name	Model	Valid from serial no:	Quantity	Part no.
1	Plate heat exchanger unit	LXF 35EL_45_150 10+10	na	1	70WYPL0328
2	Mounting plate	LXF-00.00.04_B	na	1	70WYPL0435
3	Burner unit	VIP 3 HW b	na	1	70LXPAL0003
7	Temperature sensor	L-1500	na	3	800KWIO240
8	Temperature sensor	L-2200	na	2	800KWIO248
9	Temperature sensor PT1000	TT4-PT1000B-582-2100	na	1	800KWIO245
10	Insulating gasket		na	1	94CNGU0082
13	Transformer	STM 250 400/230V	na	1	11ELTR0411
14	Internal combustion chamber	215 L-500	na	1	70WYPL0406
15	Swich pressure tube	LXD-06.00.03A	na	1	70WYPL0456
16	Foam gasket	VITON	L22G11673	1	94CNGU0089
17	Exhaust fume pipe	H17 / 1.4016 / X6Cr17	L22G11673	1	80AKRU3169
18	Exhaust fume pipe outlet		L22G11673	1	80AKKO5011
19	Gasket for fume pipe	LXF-02.01.02	L22G11673	1	00CNOR2529

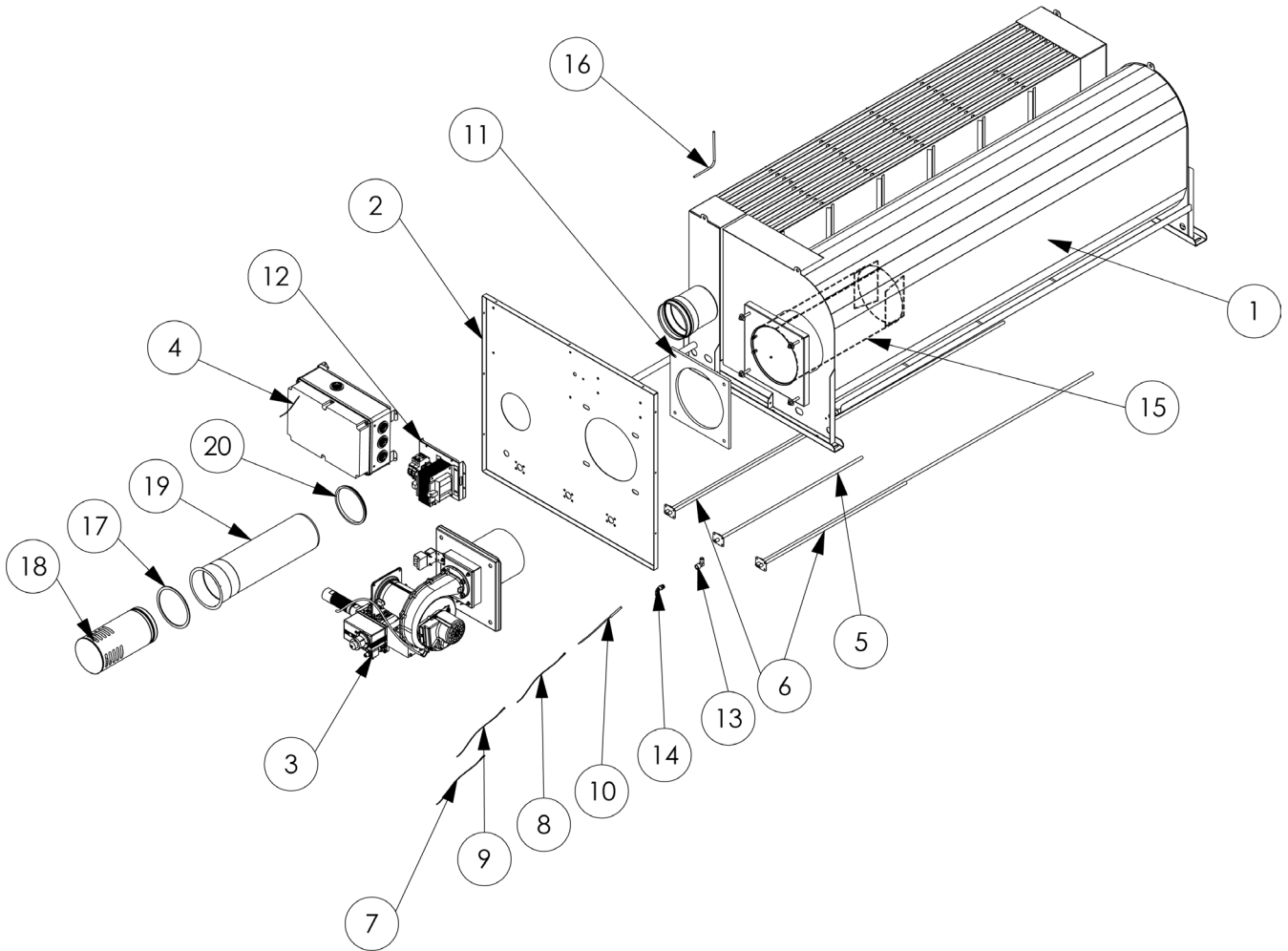
Burner unit F



Item	Name	Model	Valid from serial no:	Quantity	Part no.
1	Burner plate		na	1	70PLDM0002
2	Insulating gasket		na	1	94CNGU0080
3	Insulating gasket		na	1	94CNGU0082
4	Burner head		na	1	70PAGL0004
5	Electrode		na	1	94CNEL0031
6	Gas blower	RG175	na	1	94CNVE0013
7	Gas-air mixer	45900450N-030	na	1	94CNIM0023
8	Gas valve	VK44 15V1002B	na	1	94CEVA0011
11	Blower gasket	G1G	na	1	00CNOR3000
13	Blower gasket	RG 175	na	1	94CNGU0062
14	Transformer with converter	BRAHMA TSM	L22D11577	1	70LXEL0014
	Transformer	BRAHMA TR2	previous	1	00CNAC2008
17	Gas valve wire supply		na	1	00CECO1106
18	gas blower control cable		na	1	700KWI0001
19	gas blower wire supply		na	1	700KWI0004

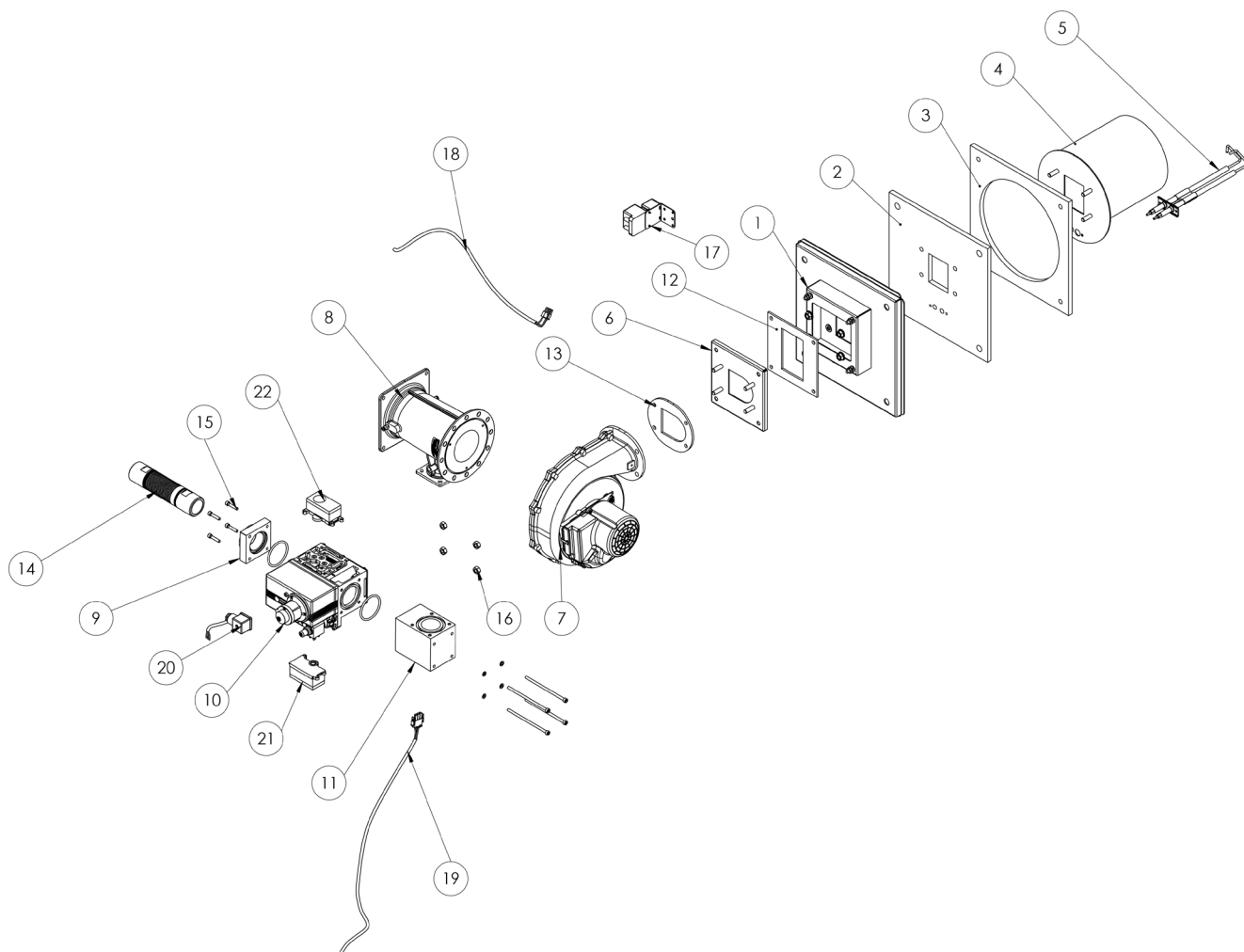
MODEL G BOX

Heat exchanger gas unit



Item	Name	Model	Valid from serial no:	Quantity	Part no.
1	Plate heat exchanger unit	LXG 35-55-175_5x5	na	1	70WYPL0250
2	Mounting plate	LXH-00.00.04_C	na	1	70WYPL0436
3	Burner unit	VIP 5 HW a	na	1	70LXPAL0004
7	Temperature sensor	L-1500	na	1	800KWI0240
8	Temperature sensor	L-1700	na	2	800KWI0246
9	Temperature sensor	L-3000	na	2	800KWI0244
10	Temperature sensor PT1000	TT4-PT1000B-582-2100	na	1	800KWI0245
11	Insulating gasket		na	1	94CNGU0082
12	Transformer	STM 250 400/230V	na	1	11ELTRO411
14	Internal combustion chamber	215 L-500	na	1	70WYPL0406
16	Switch pressure tube	LXD-06.00.03A	na	1	70WYPL0456
17	Foam gasket	VITON	L22G11673	1	94CNGU0089
18	Exhaust fume pipe outlet		L22G11673	1	80AKKO5011
19	Exhaust fume pipe	H17 / 1.4016 / X6Cr17	L22G11673	1	80AKRU3168
20	Gasket for fume pipe	LXF-02.01.02	L22G11673	1	00CNOR2529

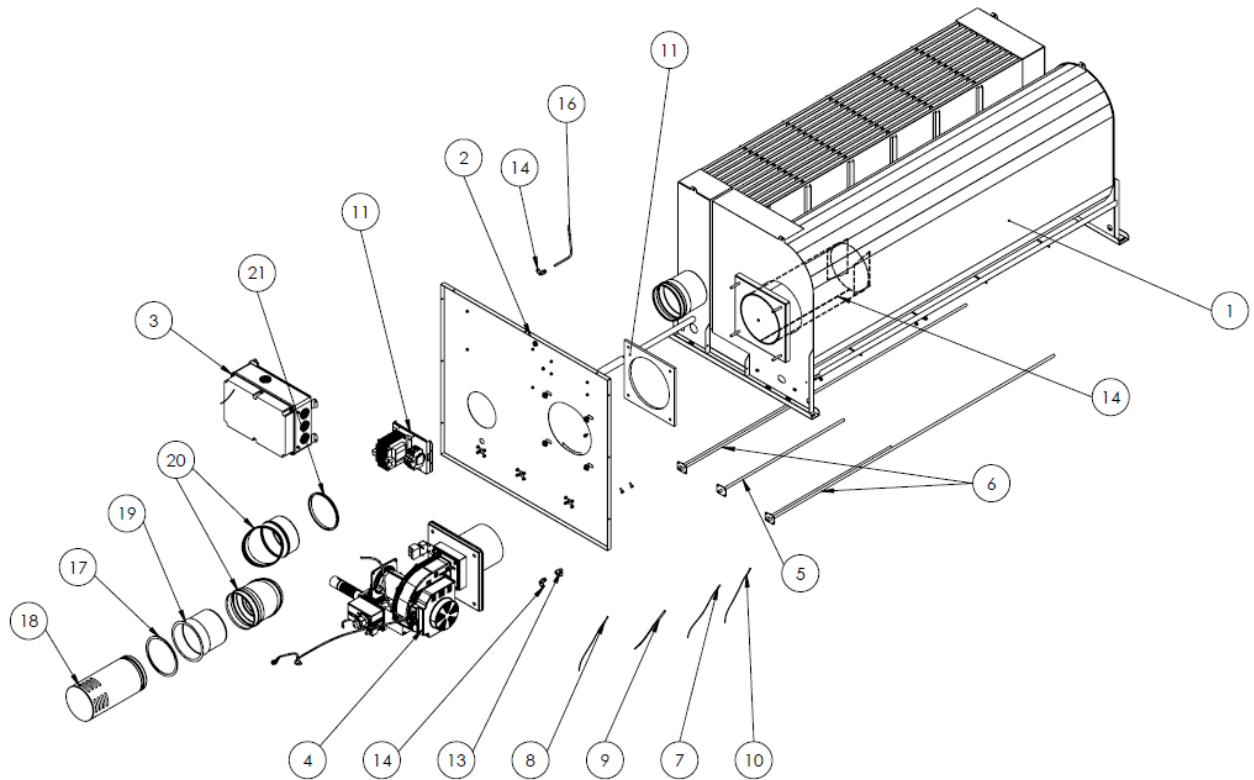
Burner unit G



Item	Name	Model	Valid from serial no:	Quantity	Part no.
1	Burner plate		na	1	70PLDM0002
2	Insulating gasket		na	1	94CNGU0080
3	Insulating gasket	279x279x10	na	1	94CNGU0082
4	Burner head	Ø168 xL 180 (SITKO 4X4)	na	1	70PAGL0005
5	Electrode		na	1	94CNEL0031
7	Gas blower	RG175	na	1	94CNVE0013
8	Gas air-mixer	VMU185A1009	na	1	94CNIM0015
10	Gas valve	VR415VE5024	na	1	94CEVA0012
12	Blower gasket		na	1	00CNOR3000
13	Blower gasket		na	1	94CNGU0062
17	Transformer with converter	BRAHMA TSM	L22D11577	1	70LXEL0014
	Transformer	BRAHMA TR2	previous	1	00CNAC2008
18	Gas blower control cable		na	1	700KWI0002
19	Gas blower wire supply		na	1	700KWI0005
20	Gas valve wire supply		na	1	700KWI0006
21	Pressure switch	C60VR40040	na	1	00CEPR1151
22	Pressure switch	C60VR40110	na	1	00CEPR1153

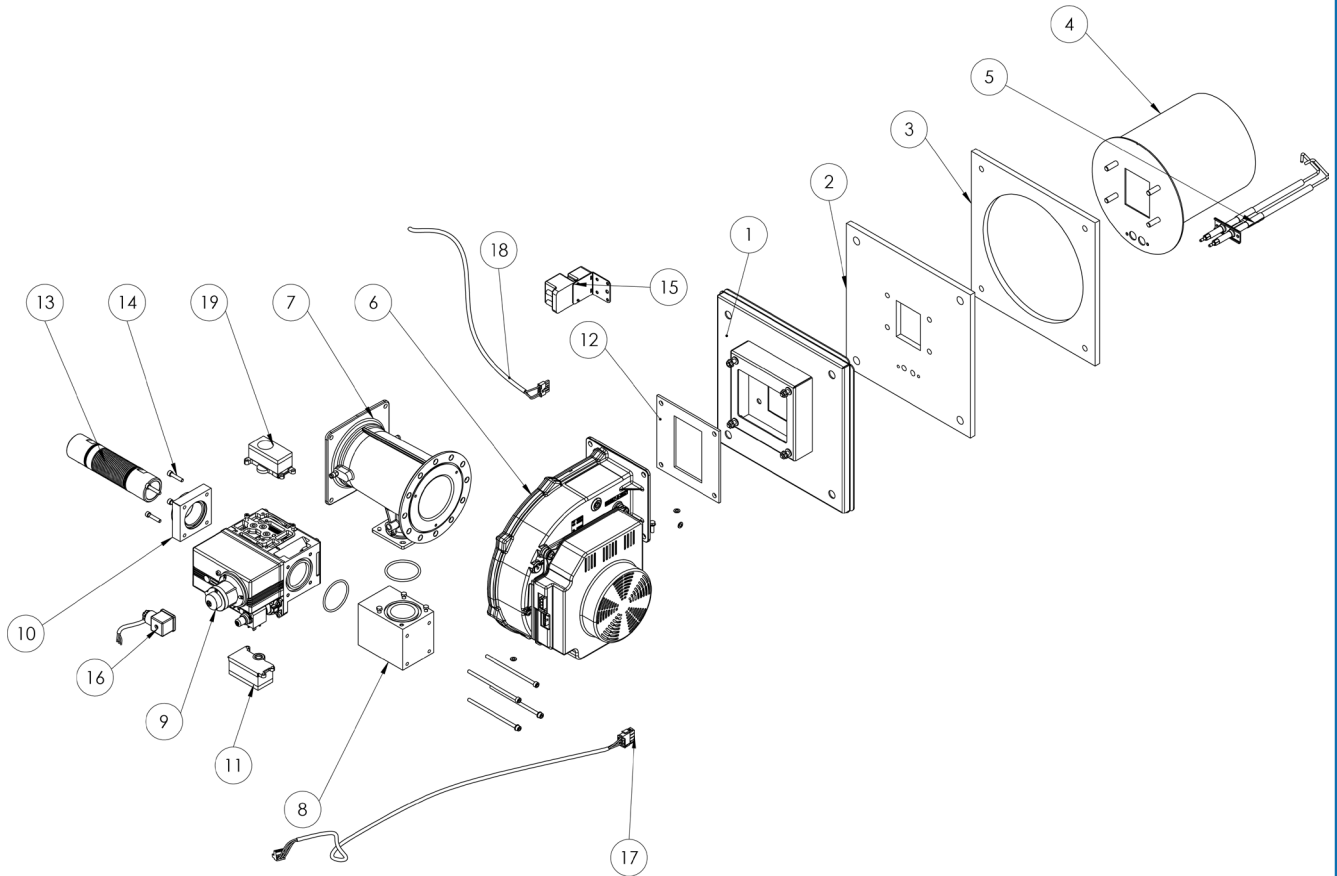
MODEL H BOX

Heat exchanger gas unit



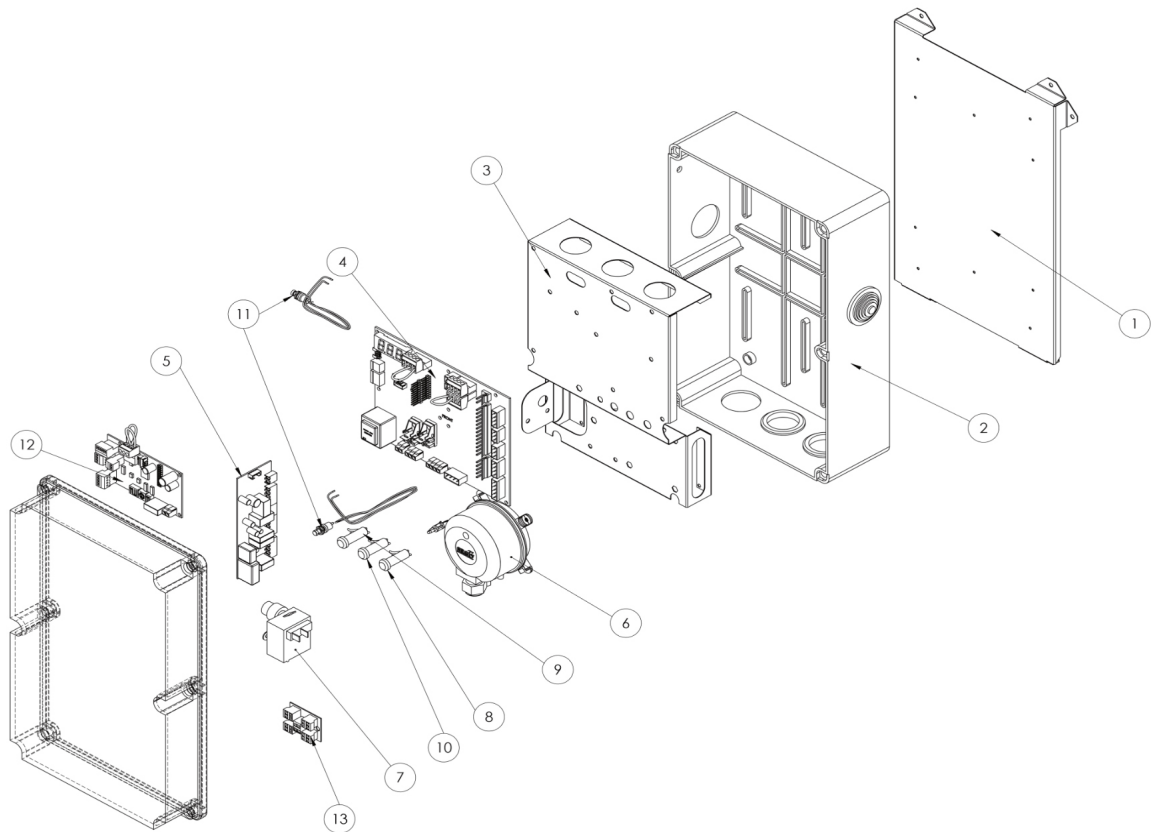
Item	Name	Model	Valid from serial no:	Quantity	Part no.
1	Plate heat exchanger unit	LXH 35EL_63_175 12+12	na	1	70WYPL0372
2	Mounting plate	LXH-00.00.01 D	na	1	70WYPL0437
4	Burner unit	VIP 5 HW b	na	1	70LXPAL0005
7	Temperature sensor	L-1500	na	1	800KW10240
8	Temperature sensor	L-1700	na	2	800KW10246
9	Temperature sensor	L-3000	na	2	800KW10244
10	Temperature sensor PT1000	TT4-PT1000B-582-2100	na	1	800KW10245
11	Transformer	STM 400	na	1	11ELTR0412
12	Insulating gasket		na	1	94CNGU0082
15	Internal combustion chamber		na	1	70WYPL0406
16	Swich pressure tube	LXD-06.00.03A	na	1	70WYPL0456
17	Foam gasket		L22G11673	1	94CNGU0090
18	Exhaust fume pipe outlet		L22G11673	1	80AKK05012
19	Exhaust fume pipe with flange		L22G11673	1	80AKRU3168
20	Elbow Ø150 45°		L22G11673	1	80AKK05006
21	Gasket for fume pipe		L22G11673	1	00CNOR2528

Burner unit H



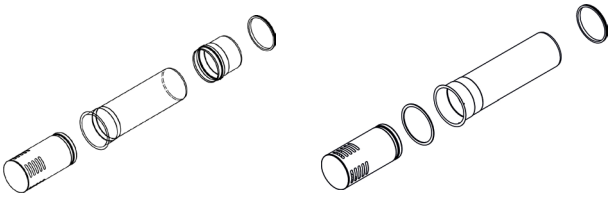
Item	Name	Model	Valid from serial no:	Quantity	Part no.
1	Burner plate		na	1	70PLDM0002
2	Insulating gasket		na	1	94CNGU0080
3	Insulating gasket	279x279x10	na	1	94CNGU0082
4	Burner head	Ø168 x h180 3.7x3.7	na	1	70PAGL0006
5	Electrode	double		1	94CNEL0031
6	Gas blower	G1G170-AB53-01-V22-2	na	1	94CNVE0017
7	Gas-air mixer	VMU300	na	1	94CNIM0016
9	Gas valve	VR415VE5024	na	1	94CEVA0012
11	Pressure swich	C60VR40040	na	1	00CEPR1151
12	Blower gasket		na	1	00CNOR3000
15	Transformer with converter	BRAHMA TSM	L22D11577	1	70LXEL0014
	Transformer	BRAHMA TR2	previous	1	00CNAC2008
16	Gas valve wire supply		na	1	700KWI0006
17	Gas blower wire supply		na	1	700KWI0005
18	Gas blower control cable		na	1	700KWI0002
19	Pressure swich	C60VR40110	na	1	00CEPR1153

Control unit C, D, E, E', F, G, H



Item	Name	Model	Valid from serial no:	Quantity	Part no.
4	Main electronic board	SCP674V130B1 LXC	L21J11418	1	11ELPL9431/C
		SCP674V30	previous	1	11ELPL9415
	Main electronic board	SCP674V130B1 LXD	L21J11418	1	11ELPL9431/D
		SCP674V30	previous	1	11ELPL9415
	Main electronic board	SCP674V130B1 LXE	L21J11418	1	11ELPL9431/E
		SCP674V30	previous	1	11ELPL9415
	Main electronic board	SCP674V130B1 LXE+	L21J11418	1	11ELPL9431/E+
		SCP674V30	previous	1	11ELPL9415
Main electronic board	SCP674V130B1 LXF	L21J11418	1	11ELPL9431/F	
	SCP674V30	previous	1	11ELPL9415	
Main electronic board	SCP674V130B1 LXG	L21J11418	1	11ELPL9431/G	
	SCP674V30	previous	1	11ELPL9415	
Main electronic board	SCP674V130B1 LXH	L21J11418	1	11ELPL9431/H	
	SCP674V30	previous	1	11ELPL9415	
5	Burner controller	DFCM32 TW 60 (SRM) Brahma 500	L22E11590	1	00CEAP0785/WG
		DFCM32 TW 30 (SRM) Brahma 500	L22A11500	1	00CEAP0784/WG
		GENIUS M 82-1 TW30-TS10	previous	1	00CEAP0780
6	Pressure switch	01APS-10R.1	na	1	00CEPR1152
7	Thermostat	IMIT LD1	na	1	04CETR2815
8	Red indicator light	D.10 230V	na	1	94CEPU0020
9	Green indicator light	D.10 230V	na	1	94CEPU0021
10	Transparent indicator light	D.10 230V	na	1	94CEPU0022
11	Wire harness		na	2	800KW10009
12	Communication board	SCP674V202MB	na	1	11ELPL9419
13	4 pin adapter	2021005576	L21J11418	1	11ELWT0261

Revision

Date	Changes
2022/08	<p>New type of chimney, valid from serial no. L22G11673</p>  <p style="display: flex; justify-content: space-around;"> Old version New version </p>
2022/07	<p>New version of Burner Controller: blow off-time is now 60s.</p>
2022/04/28	<p>Burner models: C, D, E, E+ transformer BRAHMA TR2 (00CNAC2008) changed to Transformer with converter BRAHMA TSM (70LEXL0014) From serial no: L22D11577</p>
2022/02/10	<p>The burner controller Genius with cat. No. 00CEAP0780 was replaced with Brahma 50015521_32505. From serial no: L22A11500</p>
2021/12/14	<p>Each motherboard for the whole box has own cat. Number From serial no: L21J11418</p>
2021/10/13	<p>The repair burner kits for C, D, E, E+ box were added</p>
2021/10	<p>New adapter for sensors From serial no: L21J11418</p>
2021/08/25	<p>The double electrodes, cat. No. 94CNEL002 for box C, , E, E+ were changed to set of 2 electrodes with cat. No. 94CNEL0035. From serial no: L21G11320</p>

