

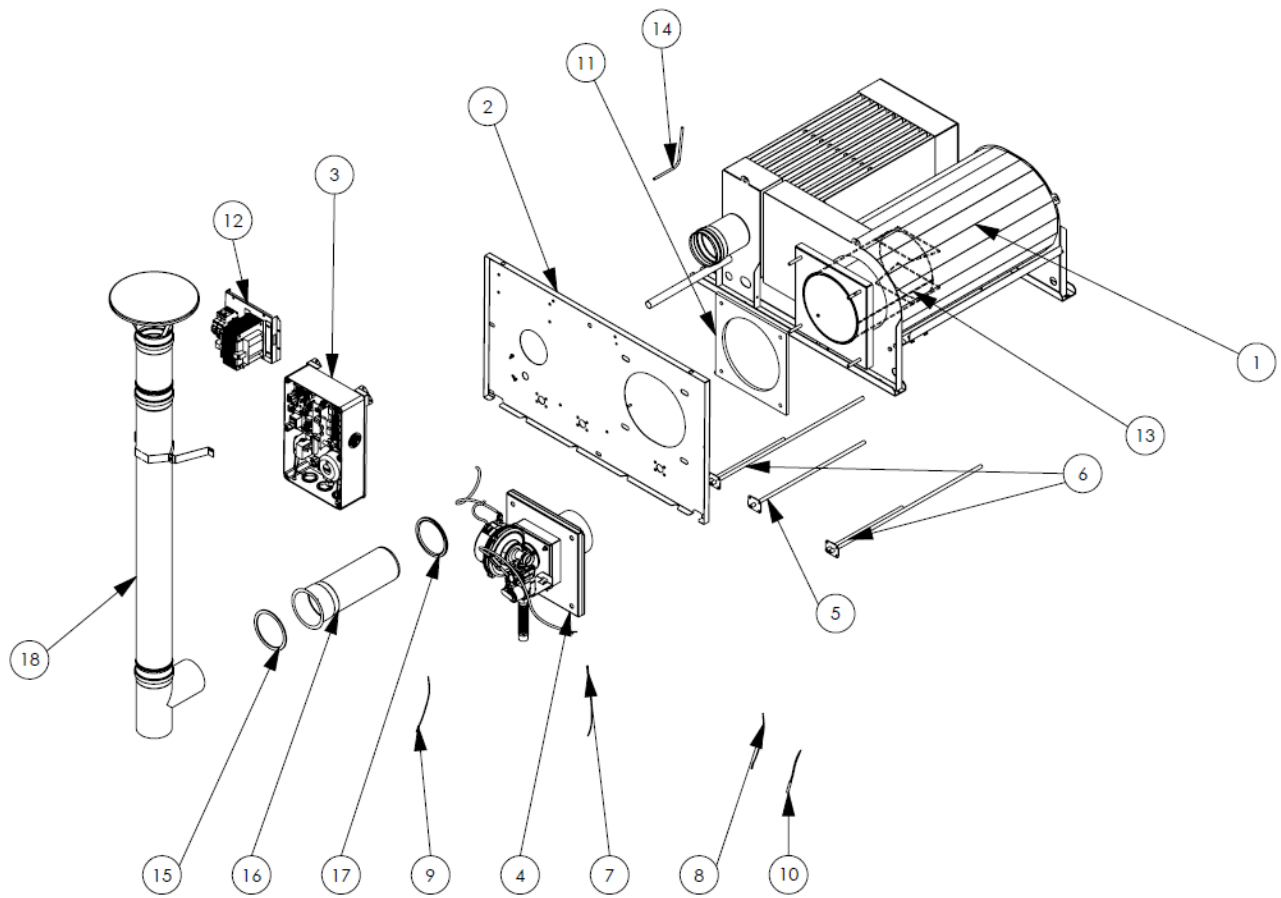


## **LENNOX SPARE PARTS**

**SPARE PARTS FOR SYSTEMA GOODS  
EXHIBIT 4B.2**

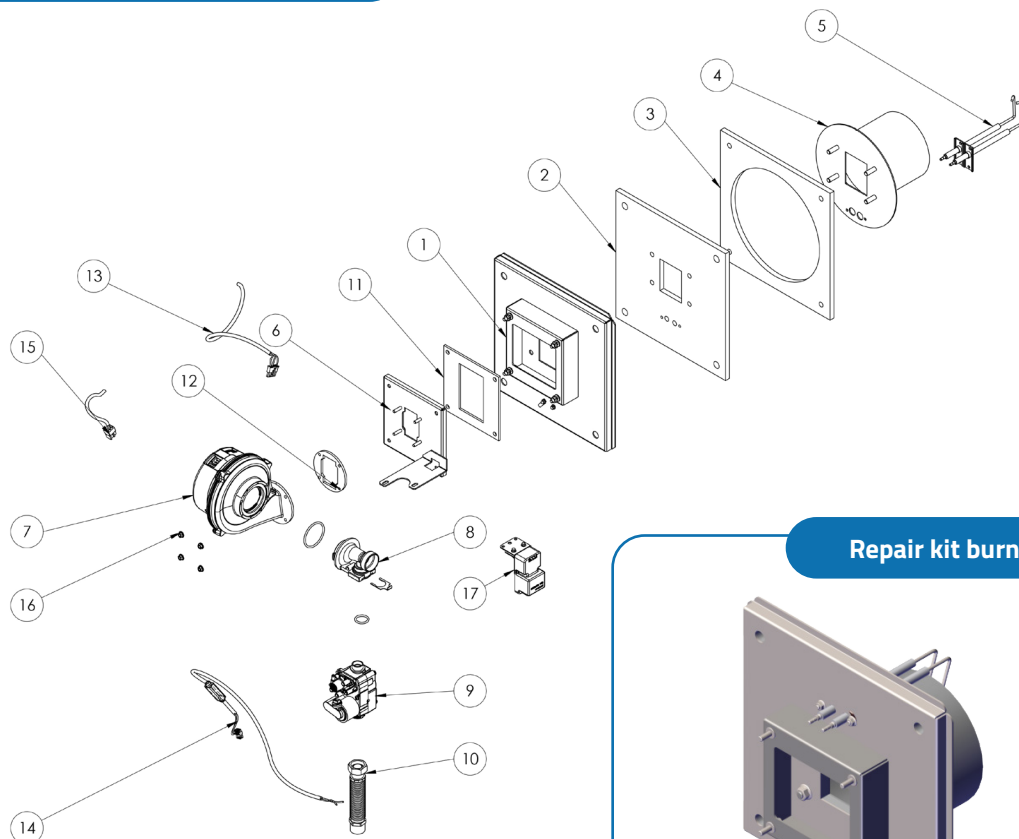
## MODEL C BOX

### Heat exchanger gas unit

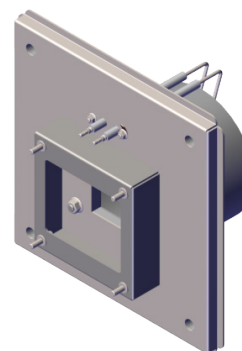


Item	Name	Model	Valid from serial no:	Quantity	Part no.
1	Plate heat exchanger unit	LXC 35-30-075_5x5	na	1	70WYPL0091
2	Mounting plate	LXD-00.00.05-H	na	1	70WYPL0261
4	Burner unit	VIP 1 HW a	L23C11945	1	70LXPAL0010
			na		70LXPAL0020
7	Temperature sensor	L-1500	na	1	800KWI0240
8	Temperature sensor	L-1150	na	2	800KWI0270
9	Temperature sensor PT1000	L-850	na	2	800KWI0269
10	Temperature sensor PT1000	TT4-PT1000B-582-2100	na	1	800KWI0245
11	Insulating gasket		na	1	94CNGU0082
12	Transformer	STM 100 400/230V	na	1	70LXTR0010
13	Internal combustion chamber	215 L-300	na	1	70WYPL0175
14	Swich pressure tube	LXD-06.00.03A	na	1	70WYPL0456
15	Foam gasket	VITON	L22G11673	1	94CNGU0088
16	Exhaust fume pipe	H17 / 1.4016 / X6Cr17	L22G11673	1	80AKRU3164
17	Gasket for fume pipe	Silikon	L22G11673	1	00CNOR2527
18	Chimney set for C, D, E		from March 2023	1	70LXK00019

**Burner unit C**



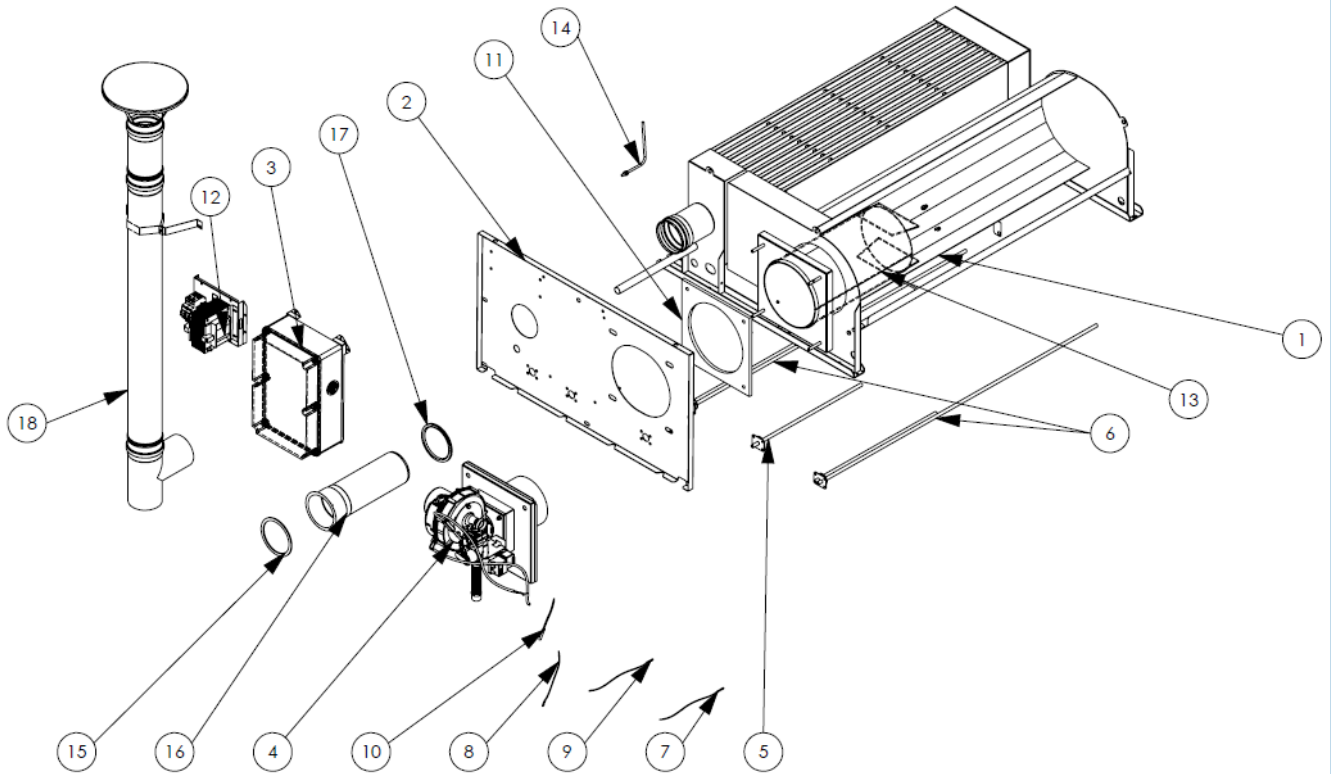
**Repair kit burner**



Item	Name	Model	Valid from serial no:	Quantity	Part no.
1	Burner plate		na	1	70PLDM0008
2	Insulating gasket		na	1	94CNGU0080
3	Insulating gasket		na	1	94CNGU0082
4	Burner head	Ø129 L.120	L23C11945	1	94PAGL6155
			na		70PAGL0000
5	Electrode	2 SINGLE SET	L21G11320	1	94CNEL0035
		double	previous	1	94CNEL0002
7	Gas blower	NRG118	na	1	94CNVE1024
8	Gas air-mixer	45900451-056	na	1	94CNIM0033
9	Gas valve	VK4205VE5002	na	1	94CEVA0010
11	Gas blower gasket		na	1	00CNOR3000
12	Silicon gasket		na	1	00CNOR3021
13	Gas blower control cable		na	1	700KWI0000
14	Gas valve wire supply		na	1	00CECO1109
15	Gas blower wire supply		na	1	700KWI0003
17	Transformer with converter	BRAHMA TSM	L22D11577	1	70LXEL0014
	Transformer	BRAHMA TR2	previous	1	00CNAC2008
-	Repair kit burner	model C	L23C11945		70LVXPAL0100
			na		70LVXPAL0023

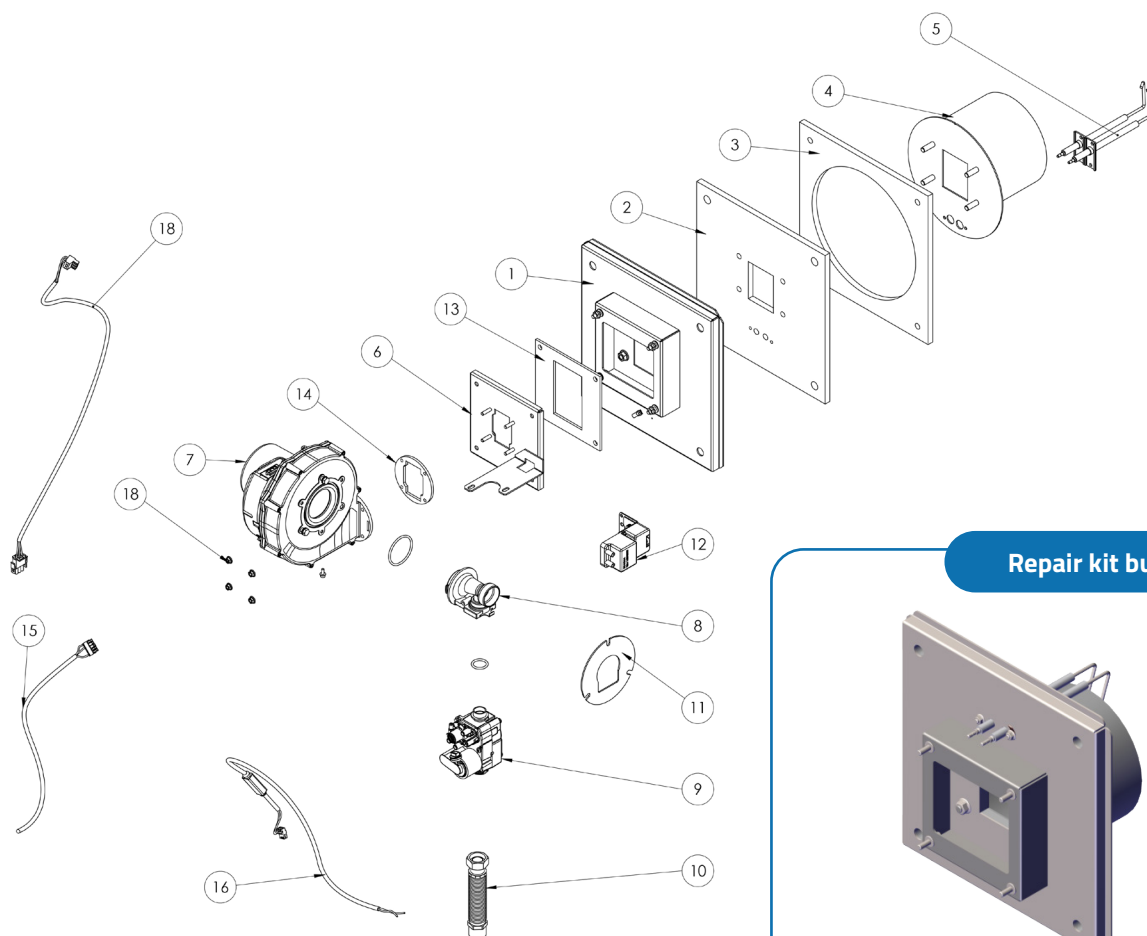
## MODEL D BOX

### Heat exchanger gas unit

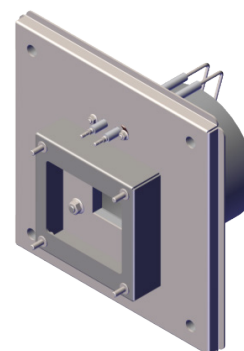


Item	Name	Model	Valid from serial no:	Quantity	Part no.
1	Plate heat exchanger unit	LXD 35-30-110_5x5	na	1	70WYPL0260
2	Mounting plate	LXD-00.00.05-H	na	1	70WYPL0261
4	Burner unit	VIP 2 HW	L23C11945	1	70LXPAL0011
			na		70LXPAL0021
7	Temperature sensor	L-1500	na	1	800KWI0240
8	Temperature sensor	L-1000	na	2	800KWI0238
9	Temperature sensor	L-1700	na	2	800KWI0246
10	Temperature sensor PT1000	TT4-PT1000B-582-2100	na	1	800KWI0245
11	Insulating gasket		na	1	94CNGU0082
12	Transformer	STM 100 400/230V	na	1	70LXTR0010
13	Internal combustion chamber	215 L-400	na	1	70WPL0405
14	Switch pressure tube	LXD-06.00.03A	na	1	70WYPL0456
15	Foam gasket	VITON	L22G11673	1	94CNGU0088
16	Exhaust fume pipe with flange		L22G11673	1	80AKRU3164
17	Gasket for fume pipe	Silikon	L22G11673	1	00CNOR2527
18	Chimney set for C, D, E		from March 2023	1	70LXK00019

**Burner unit D**

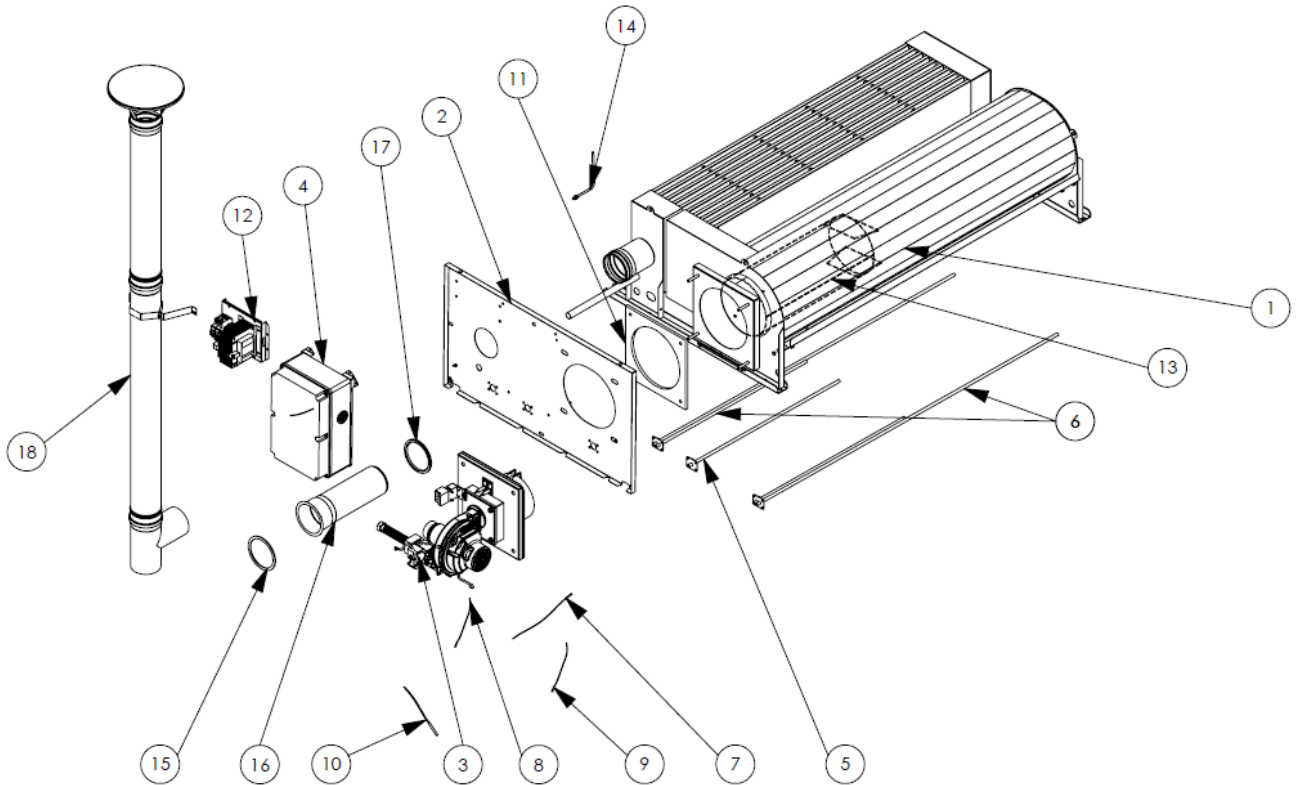


**Repair kit burner**



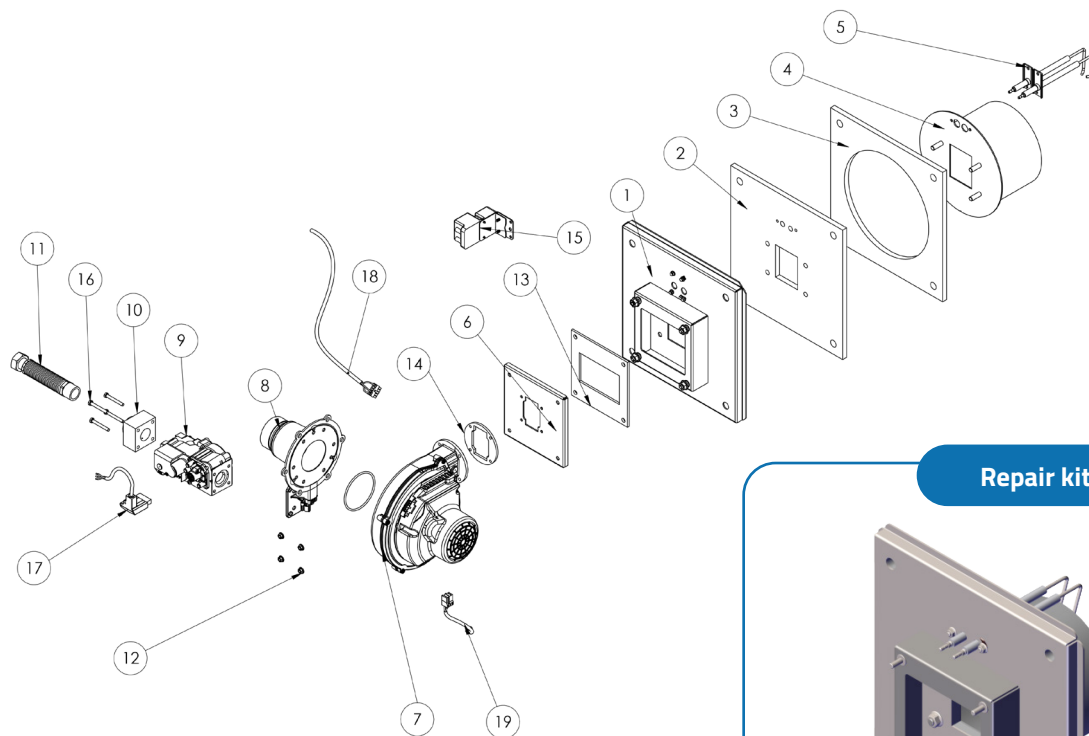
Item	Name	Model	Valid from serial no:	Quantity	Part no.
1	Burner plate		na	1	70PLDM0008
2	Insulating gasket		na	1	94CNGU0080
3	Insulating gasket		na	1	94CNGU0082
4	Burner head	Ø154 L.120	L23C11945	1	94PAGL6156
			na		70PAGL0001
5	Electrode	2 SINGLE SET	L21G11320	1	94CNEL0035
		double	previous	1	94CNEL0002
7	Gas blower		na	1	94CNVE0012
8	Gas air-mixer	45900451-056	na	1	94CNIM0033
9	Gas valve	VK4205VE5002	na	1	94CEVA0010
11	Mixer ring		na	1	85PLPI0000
12	Transformer with converter	BRAHMA TSM	L22D11577	1	70LXEL0014
	Transformer	BRAHMA TR2	previous	1	00CNAC2008
13	Blower gasket		na	1	00CNOR3000
14	Silicon gasket		na	1	00CNOR3021
15	Gas blower control cable		na	1	700KW10002
16	Gas valve wire supply		na	1	00CECO1109
18	Gas blower wire supply		na	1	700KW10007
-	Repair kit burner	model D	L23C11945		70LVXPAL0101
			na		70LVXPAL0024

Heat exchanger gas unit

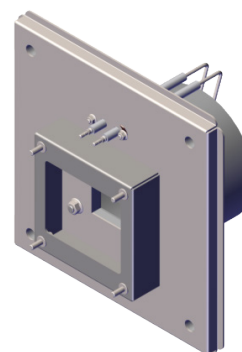


Item	Name	Model	Valid from serial no:	Quantity	Part no.
1	Plate heat exchanger unit	LXE 35-30-135_5x5	na	1	70WYPL0378
2	Mounting plate	LXD-00.00.05-H	na	1	70WYPL0261
3	Burner unit	VIP 3 HW a	L23C11945	1	70LXPAL0012
			na		70LXPAL0022
7	Temperature sensor	L-2000	na	2	800KWI0247
8	Temperature sensor	L-1500	na	1	800KWI0240
9	Temperature sensor	L-1250	na	2	800KWI0239
10	Temperature sensor PT1000	TT4-PT1000B-582-2100	na	1	800KWI0245
11	Insulating gasket		na	1	94CNGU0082
12	Transformer	STM 100 400/230V	na	1	70LXTR0011
13	Internal combustion chamber	215 L-500	na	1	70WYPL0406
14	Swich pressure tube	LXD-06.00.03A	L22G11673	1	70WYPL0456
15	Foam gasket	VITON	L22G11673	1	94CNGU0088
16	Exhaust fume pipe	H17 / 1.4016 / X6Cr17	L22G11673	1	80AKRU3164
17	Gasket for fume pipe	LXD-02.01.01	L22G11673	1	00CNOR2527
18	Chimney set for C, D, E		from March 2023	1	70LXK00019
18	Chimney set for E+		from March 2023	1	70LXK00020

**Burner unit E / E+**



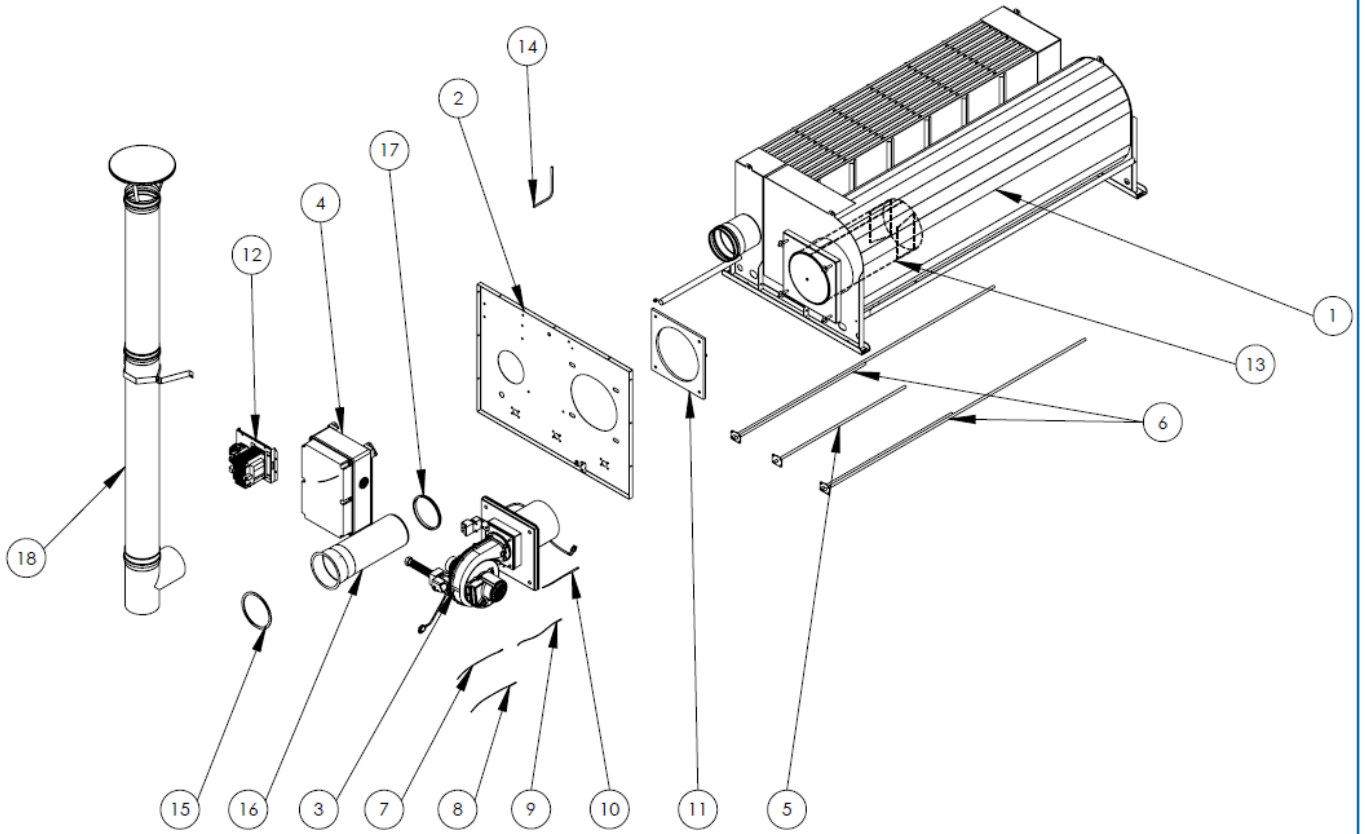
**Repair kit burner**



Item	Name	Model	Valid from serial no:	Quantity	Part no.
1	Burner plate		na	1	70PLDM0008
2	Insulating gasket		na	1	94CNGU0080
3	Insulating gasket	279x279x10	na	1	94CNGU0082
4	Burner head	Ø159 L.120	L23C11945	1	94PAGL6157
			na		70PAGL0003
5	Electrode	2 SINGLE SET double	L21G11320	1	94CNEL0035
			previous	1	94CNEL0002
7	Gas blower		na	1	94CNVE0016
8	Gas air-mixer	45900450N-020	na	1	94CNIM0021
9	Gas valve	VK4415V1002B	na	1	94CEVA0011
10	Blower gasket		na	1	94ARSZ6009
11	Silicon gasket		na	1	12ARPG6007
13	Blower gasket		na	1	00CNOR3000
14	Silicon gasket		na	1	00CNOR3021
15	Transformer with converter	BRAHMA TSM	L22D11577	1	70LXEL0014
	Transformer	BRAHMA TR2	previous	1	00CNAC2008
17	Gas valve wire supply		na	1	00CECO1106
18	Gas blower control cable		na	1	700KWI0002
19	Gas blower wire supply		na	1	700KWI0003
-	Repair kit burner	model E/E+	L23C11945		70LVXPAL0102
			na		70LVXPAL0025

## MODEL F BOX

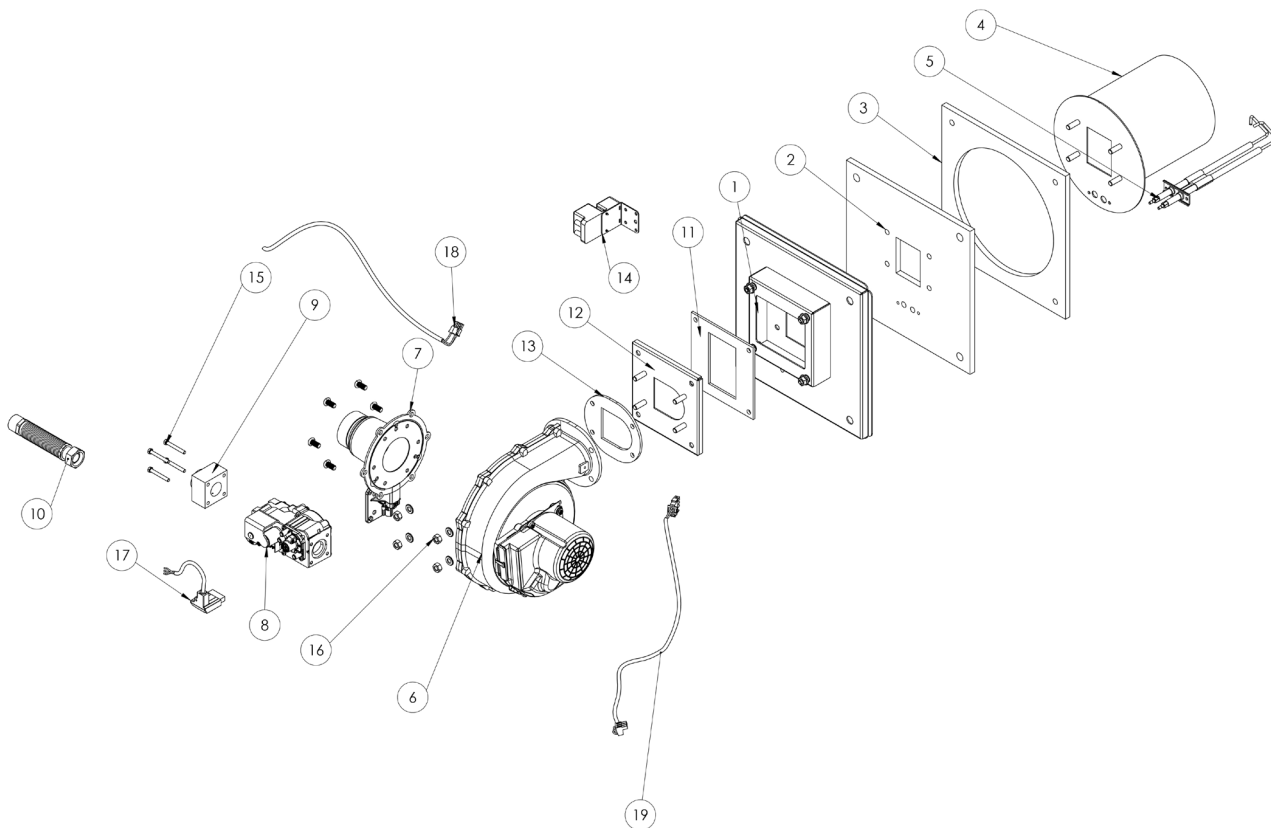
### Heat exchanger gas unit



Item	Name	Model	Valid from serial no:	Quantity	Part no.
1	Plate heat exchanger unit	LXF 35EL_45_150 10+10	na	1	70WYPL0328
2	Mounting plate	LXF-00.00.04_B	na	1	70WYPL0435
3	Burner unit	VIP 3 HW b	L23C11945	1	70LXPAL0013
			na		70LXPAL0003
7	Temperature sensor	L-1500	na	3	800KWIO240
8	Temperature sensor	L-2000	na	2	800KWIO247
9	Temperature sensor	L-1250	na	2	800KWIO239
10	Temperature sensor PT1000	TT4-PT1000B-582-2100	na	1	800KWIO245
11	Insulating gasket		na	1	94CNGU0082
12	Transformer	STM 100 400/230V	na	1	70LXTR0012
13	Internal combustion chamber	215 L-500	na	1	70WYPL0406
14	Swich pressure tube	LXD-06.00.03A	L22G11673	1	70WYPL0456
15	Foam gasket	VITON	L22G11673	1	94CNGU0089
16	Exhaust fume pipe	H17 / 1.4016 / X6Cr17	L22G11673	1	80AKRU3169
17	Gasket for fume pipe	LXF-02.01.02	L22G11673	1	00CNOR2529
18	Chimney set for F		from March 2023	1	70LXKO0021



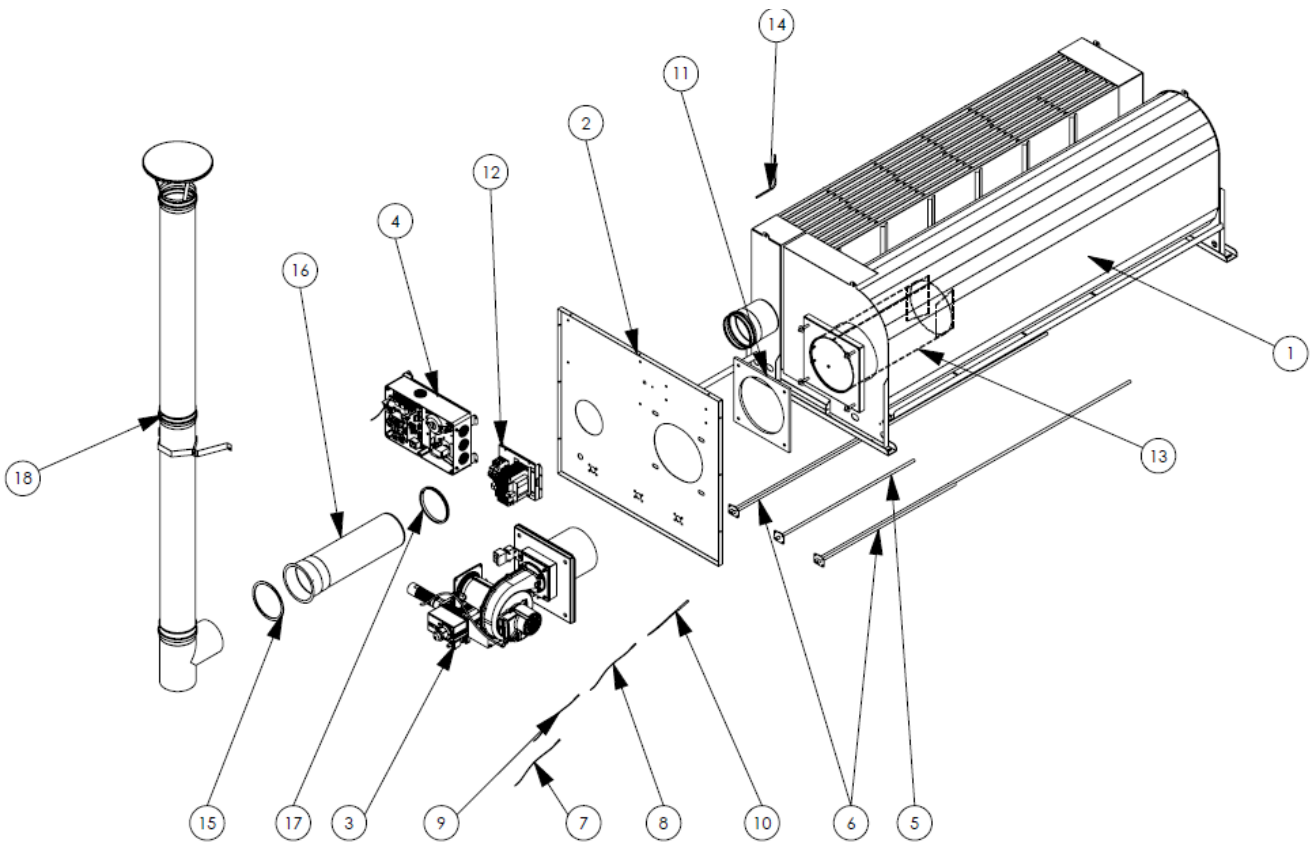
**Burner unit F**



Item	Name	Model	Valid from serial no:	Quantity	Part no.
1	Burner plate		na	1	70PLDM0002
2	Insulating gasket		na	1	94CNGU0080
3	Insulating gasket		na	1	94CNGU0082
4	Burner head		L23C11945	1	94PAGL6158
			na		70PAGL0004
5	Electrode		na	1	94CNEL0031
6	Gas blower	RG175	na	1	94CNVE0013
7	Gas-air mixer	45900450N-030	na	1	94CNIM0023
8	Gas valve	VK44 15V1002B	na	1	94CEVA0011
11	Blower gasket	G1G	na	1	00CNOR3000
13	Blower gasket	RG 175	na	1	94CNGU0062
14	Transformer with converter	BRAHMA TSM	L22D11577	1	70LXEL0014
	Transformer	BRAHMA TR2	previous	1	00CNAC2008
17	Gas valve wire supply		na	1	00CECO1106
18	gas blower control cable		na	1	700KWI0001
19	gas blower wire supply		na	1	700KWI0004
-	Repair kit for F-box		L23C11945		70LXPAL0103

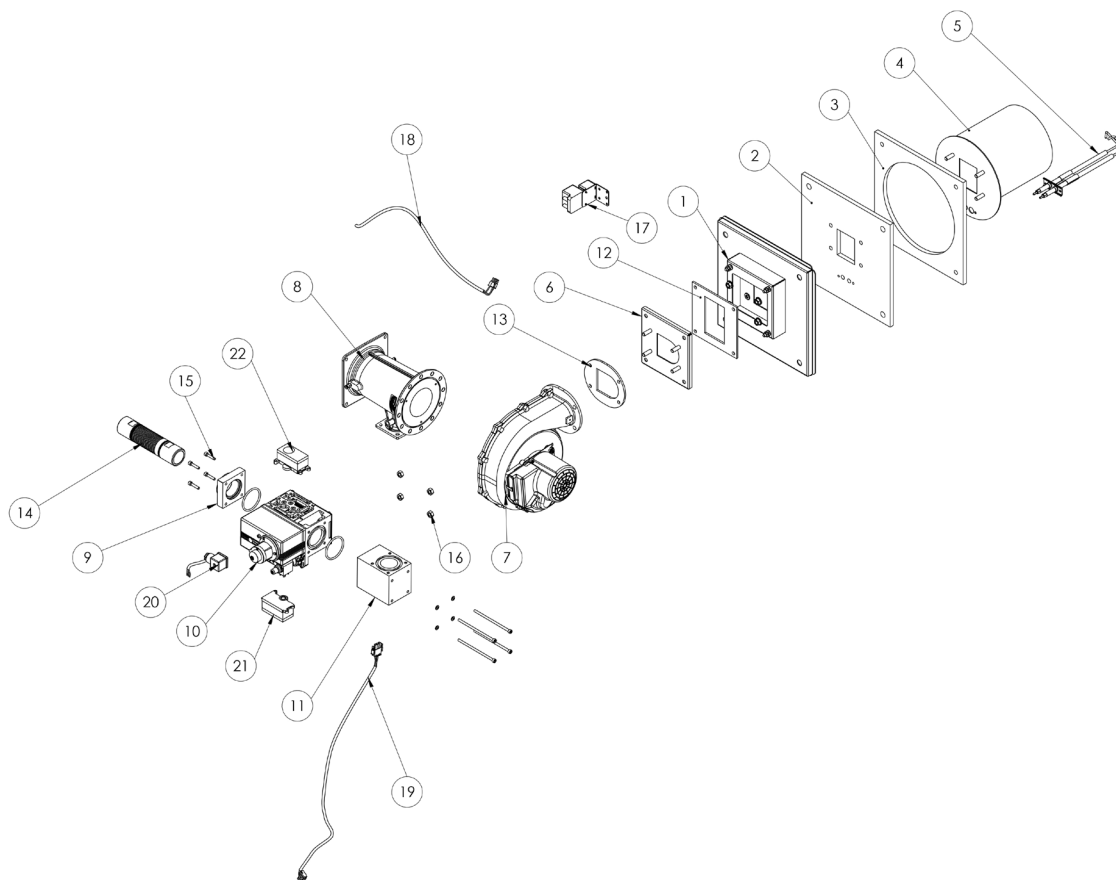
## MODEL G BOX

### Heat exchanger gas unit



Item	Name	Model	Valid from serial no:	Quantity	Part no.
1	Plate heat exchanger unit	LXG 35-55-175_5x5	na	1	70WYPL0250
2	Mounting plate	LXH-00.00.04_C	na	1	70WYPL0436
3	Burner unit	VIP 5 HW a	L23C11945	1	70LXPAL0014
			na		70LXPAL0004
7	Temperature sensor	L-1500	na	1	800KWI0240
8	Temperature sensor	L-1700	na	2	800KWI0246
9	Temperature sensor	L-2600	na	2	800KWI0271
10	Temperature sensor PT1000	TT4-PT1000B-582-2100	na	1	800KWI0245
11	Insulating gasket		na	1	94CNGU0082
12	Transformer	STM 100 400/230V	na	1	70LXTR0011
13	Internal combustion chamber	215 L-500	na	1	70WYPL0406
14	Swich pressure tube	LXD-06.00.03A	na	1	70WYPL0456
15	Foam gasket	VITON	L22G11673	1	94CNGU0089
16	Exhaust fume pipe	H17 / 1.4016 / X6Cr17	L22G11673	1	80AKRU3168
17	Gasket for fume pipe	LXF-02.01.02	L22G11673	1	00CNOR2529
18	Chimney set for G		from March 2023	1	70LXK00022

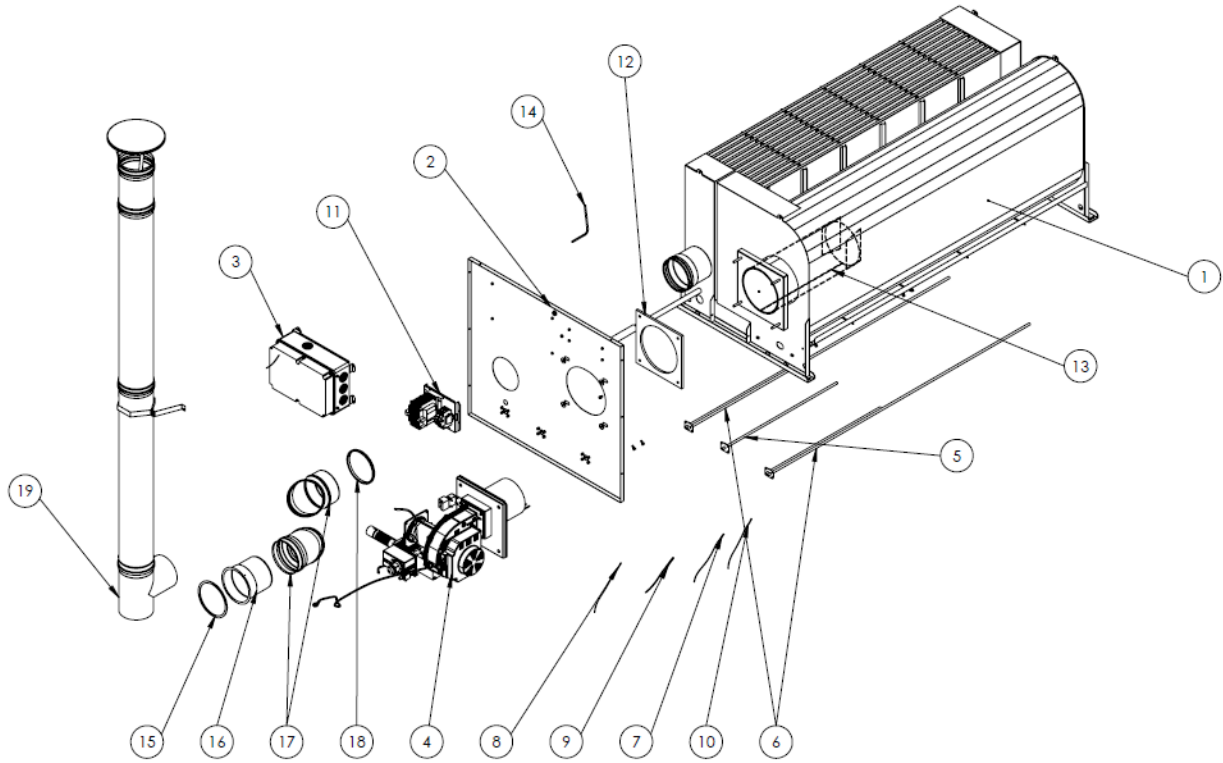
## Burner unit G



Item	Name	Model	Valid from serial no:	Quantity	Part no.
1	Burner plate		na	1	70PLDM0002
2	Insulating gasket		na	1	94CNGU0080
3	Insulating gasket	279x279x10	na	1	94CNGU0082
4	Burner head	Ø168 xL 180 (SITKO 4X4)	L23C11945		
			na	1	70PAGL0005
5	Electrode		na	1	94CNEL0031
7	Gas blower	RG175	na	1	94CNVE0013
8	Gas air-mixer	VMU185A1009	na	1	94CNIM0015
10	Gas valve	VR415VE5024	na	1	94CEVA0012
12	Blower gasket		na	1	00CNOR3000
13	Blower gasket		na	1	94CNGU0062
17	Transformer with converter	BRAHMA TSM	L22D11577	1	70LXEL0014
	Transformer	BRAHMA TR2	previous	1	00CNAC2008
18	Gas blower control cable		na	1	700KWI0002
19	Gas blower wire supply		na	1	700KWI0005
20	Gas valve wire supply		na	1	700KWI0006
21	Pressure swich	C60VR40040	na	1	00CEPR1151
22	Pressure swich	C60VR40110	na	1	00CEPR1153
-	Reapir kit for G-box		L23C11945		70LXPAL0104

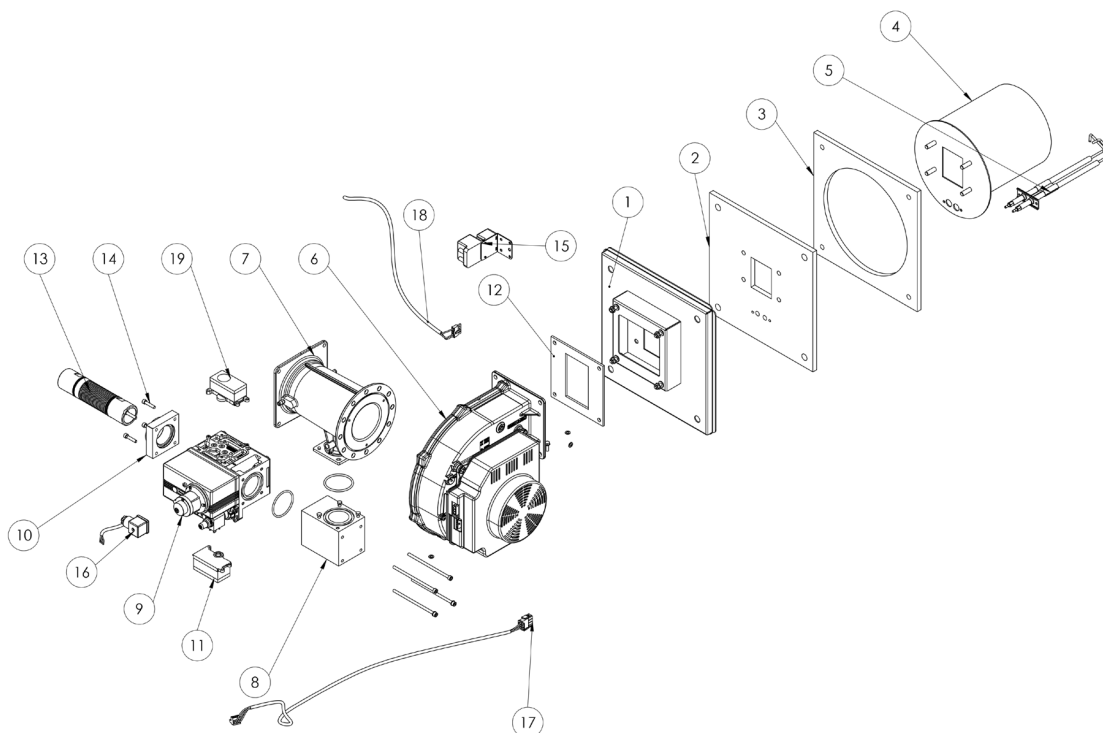
## MODEL H BOX

### Heat exchanger gas unit



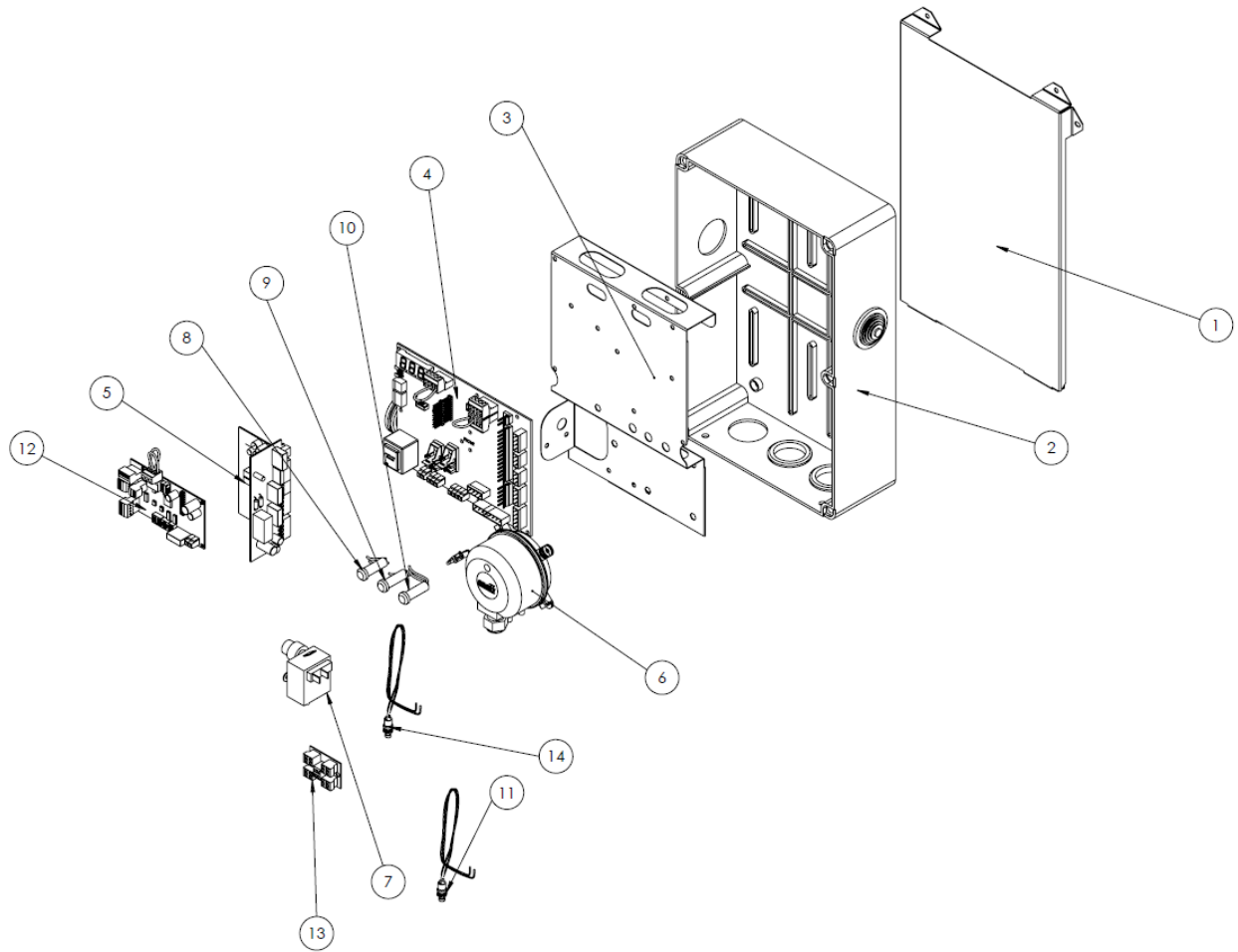
Item	Name	Model	Valid from serial no:	Quantity	Part no.
1	Plate heat exchanger unit	LXH 35EL_63_175 12+12	na	1	70WYPL0372
2	Mounting plate	LXH-00.00.01 D	na	1	70WYPL0437
4	Burner unit	VIP 5 HW b	L23C11945	1	70LXPAL0015
			na		70LXPAL0005
7	Temperature sensor	L-1500	na	1	800KWI0240
8	Temperature sensor	L-1700	na	2	800KWI0246
9	Temperature sensor	L-2600	na	2	800KWI0271
10	Temperature sensor PT1000	TT4-PT1000B-582-2100	na	1	800KWI0245
11	Transformer	STM 400	na	1	70LXTR0013
12	Insulating gasket		na	1	94CNGU0082
15	Internal combustion chamber		na	1	70WYPL0406
16	Swich pressure tube	LXD-06.00.03A	na	1	70WYPL0456
15	Foam gasket		L22G11673	1	94CNGU0090
16	Exhaust fume pipe with flange		L22G11673	1	80AKRU3165
17	Elbow Ø150 45°		L22G11673	1	80AKKO5006
18	Gasket for fume pipe		L22G11673	1	00CNOR2528
19	Chimney set for H		from March 2023	1	70LXK00023

Burner unit H



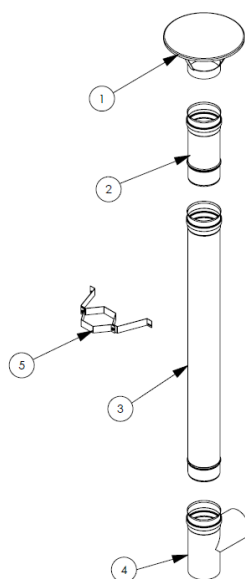
Item	Name	Model	Valid from serial no:	Quantity	Part no.
1	Burner plate		na	1	70PLDM0002
2	Insulating gasket		na	1	94CNGU0080
3	Insulating gasket	279x279x10	na	1	94CNGU0082
4	Burner head	Ø168 x h180 3.7x3.7	L23C11945	1	94PAGL6160
			na		70PAGL0006
5	Electrode	double		1	94CNEL0031
6	Gas blower	G1G170-AB53-01-V22-2	na	1	94CNVE0017
7	Gas-air mixer	VMU300	na	1	94CNIM0016
9	Gas valve	VR415VE5024	na	1	94CEVA0012
11	Pressure swich	C60VR40040	na	1	00CEPR1151
12	Blower gasket		na	1	00CNOR3000
15	Transformer with converter	BRAHMA TSM	L22D11577	1	70LXEL0014
	Transformer	BRAHMA TR2	previous	1	00CNAC2008
16	Gas valve wire supply		na	1	700KWI0006
17	Gas blower wire supply		na	1	700KWI0005
18	Gas blower control cable		na	1	700KWI0002
19	Pressure swich	C60VR40110	na	1	00CEPR1153
-	Repair kit for H-box		L23C11945		70LXPAL0104

## Control unit C, D, E, E', F, G, H



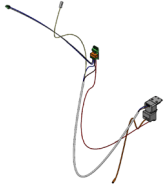
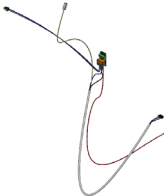
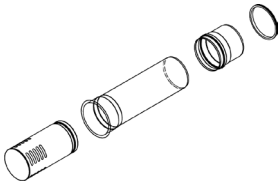
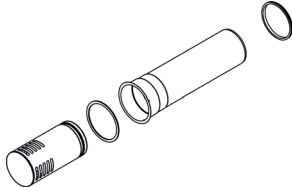
Item	Name	Model	Valid from serial no:	Quantity	Part no.
4	Main electronic board	SCP674V130B1 LXC	L21J11418	1	11ELPL9431/C
		SCP674V30	previous	1	11ELPL9415
	Main electronic board	SCP674V130B1 LXD	L21J11418	1	11ELPL9431/D
		SCP674V30	previous	1	11ELPL9415
	Main electronic board	SCP674V130B1 LXE	L21J11418	1	11ELPL9431/E
		SCP674V30	previous	1	11ELPL9415
	Main electronic board	SCP674V130B1 LXE+	L21J11418	1	11ELPL9431/E+
		SCP674V30	previous	1	11ELPL9415
Main electronic board	SCP674V130B1 LXF	L21J11418	1	11ELPL9431/F	
		previous	1	11ELPL9415	
Main electronic board	SCP674V130B1 LXG	L21J11418	1	11ELPL9431/G	
		previous	1	11ELPL9415	
Main electronic board	SCP674V130B1 LXH	L21J11418	1	11ELPL9431/H	
		previous	1	11ELPL9415	
5	Burner controller	DFC M32PRC TW 60 TSS	L22E11590	1	00CEAP0786/WG
		DFCM32 TW 60 (SRM) Brahma 500	L22E11590	1	00CEAP0785/WG
		DFCM32 TW 30 (SRM) Brahma 500	L22A11500	1	00CEAP0784/WG
		GENIUS M 82-1 TW30-TS10	previous	1	00CEAP0780
6	Pressure switch	01APS-10R.1	na	1	00CEPR1152
7	Thermostat	IMIT LD1	na	1	04CETR2815
8	Red indicator light	D.10 230V	na	1	94CEPU0020
9	Green indicator light	D.10 230V	na	1	94CEPU0021
10	Transparent indicator light	D.10 230V	na	1	94CEPU0022
11	Reset				800KW10012
12	Communication board	SCP674V202MB	na	1	11ELPL9419
13	4 pin adapter	2021005576	L21J11418	1	11ELWT0261
14	Wire harness			1	800KW10009

## New Vertical Chimnet Set



Type of box	Item	Name	Model	Quantity	Part no.
C, D, E	1	Equipment for pipe D.100	SJBPA 100-01.00.00	1	80AKPA4013/WG
	2	SS pipe D.100 mm L.250 mm		1	80AKRU3117/WG
	3	SS pipe D.100 mm L.1000 mm		1	80AKRU3056/WG
	4	Tee with condenser D.100/100 90DEG.		1	80AKTR3096/WG
	5	Chimney bracket Ø100 with screws	UK 100-02.00.00	1	70LXK00010
			Chimney set for C, D, E		1
E+	1	Equipment for pipe D.100	SJBPA 100-01.00.00	1	80AKPA4013/WG
	2	SS pipe D.100 mm L.700 mm		1	80AKRU3127/WG
	3	SS pipe D.100 mm L.1000 mm		1	80AKRU3056/WG
	4	Tee with condenser D.100/100 90DEG.		1	80AKTR3096/WG
	5	Chimney bracket Ø100 with screws	UK 100-02.00.00	1	70LXK00010
			Chimney set for E+		1
F	1	Equipment for pipe D.130	SJBPA 130-01.00.00	1	80AKPA1010/WG
	2	SS pipe D.130 mm L.750 mm		1	80AKRU3182/WG
	3	SS pipe D.130 mm L.1000 mm		1	80AKRU3103/WG
	4	Tee with condenser D.130/130 90DEG.		1	80AKTR3097/WG
	5	Chimney bracket Ø130 with screws	UK 130-02.00.00	1	70LXK00011
			Chimney set for F		1
G	1	Equipment for pipe D.130	SJBPA 130-01.00.00	1	80AKPA1010/WG
	2	SS pipe D.130 mm L.1000 mm		1	80AKRU3103/WG
	3	SS pipe D.130 mm L.1000 mm		1	80AKRU3103/WG
	4	Tee with condenser D.130/130 90DEG.		1	80AKTR3097/WG
	5	Chimney bracket Ø130 with screws	UK 130-02.00.00	1	70LXK00011
			Chimney set for G		1
H	1	Equipment for pipe D.150	SJBPA 150-01.00.00	1	80AKPA4021/WG
	2	SS pipe D.150 mm L.1000 mm		1	80AKRU3054/WG
	3	SS pipe D.150 mm L.1000 mm		1	80AKRU3054/WG
	4	Tee with condenser D.150/150 90 DEG.		1	80AKTR3098/WG
	5	Chimney bracket Ø150 with screws	UK 150-02.00.00	1	70LXK00012
			Chimney set for H		1

## Revision

Date	Changes
2023/03	New version of chimneys (vertical)
2022/12	Index change E/E+ BOX [heat exchanger gas unit]
2022/11	The new version of high-voltage for TSM <div style="display: flex; justify-content: space-around; align-items: center; margin-top: 10px;"> <div style="text-align: center;">  <p>Transformer TSM with relay Cat. No: 70LXEL0014</p> </div> <div style="text-align: center;">  <p>High-voltage cable with resistor Cat. No: 700KWI0035</p> </div> </div>
2022/08	New type of chimney, valid from serial no. L22G11673 <div style="display: flex; justify-content: space-around; align-items: center; margin-top: 10px;"> <div style="text-align: center;">  <p>Old version</p> </div> <div style="text-align: center;">  <p>New version</p> </div> </div>
2022/07	New version of Burner Controller: blow off-time is now 60s.
2022/04/28	Burner models: C, D, E, E+ transformer BRAHMA TR2 (00CNAC2008) changed to Transformer with converter BRAHMA TSM (70LXEL0014) <b>From serial no: L22D11577</b>
2022/02/10	The burner controller Genius with cat. No. 00CEAP0780 was replaced with Brahma 50015521_32505. <b>From serial no: L22A11500</b>
2021/12/14	Each motherboard for the whole box has own cat. Number <b>From serial no: L21J11418</b>
2021/10/13	The repair burner kits for C, D, E, E+ box were added
2021/10	New adapter for sensors <b>From serial no: L21J11418</b>
2021/08/25	The double electrodes, cat. No. 94CNEL002 for box C, , E, E+ were changed to set of 2 electrodes with cat. No. 94CNEL0035. <b>From serial no: L21G11320</b>





